

### DROP-IN BAR SINK K-6579

ADA

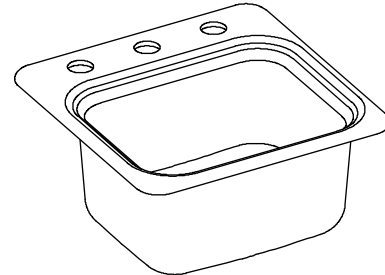
#### Features

- KOHLER cast iron
- Acid-resistant enamel finish
- Single bowl
- 3-hole (-3), 2-hole (-2), or single-hole (-1)
- 15" (381 mm) x 15" (381 mm)

#### Codes/Standards Applicable

Specified model meets or exceeds the following:

- ADA
- ICC/ANSI A117.1
- ASME A112.19.1/CSA B45.2



#### Colors/Finishes

- 0: White
- Other: Refer to Price Book for additional colors/finishes

#### Accessories:

- CP: Polished Chrome
- NA: None applicable
- Other: Refer to Price Book for additional colors/finishes

#### Specified Model

| Model                | Description                | Colors/Finishes             |                                     |
|----------------------|----------------------------|-----------------------------|-------------------------------------|
| K-6579-3             | 3-hole bar sink            | <input type="checkbox"/> 0  | <input type="checkbox"/> Other_____ |
| K-6579-2             | 2-hole bar sink            | <input type="checkbox"/> 0  | <input type="checkbox"/> Other_____ |
| K-6579-1             | Single-hole bar sink       | <input type="checkbox"/> 0  | <input type="checkbox"/> Other_____ |
| Optional Accessories |                            |                             |                                     |
| K-6590               | Hardwood cutting board     | <input type="checkbox"/> NA |                                     |
| K-8801               | Duostrainer® sink strainer | <input type="checkbox"/> CP | <input type="checkbox"/> Other_____ |

#### Product Specification

The bar sink shall be made of cast iron with acid-resistant enamel finish. Sink shall be drop-in and single compartment. Sink shall be 3-hole (-3), 2-hole (-2), or single-hole (-1). Sink shall be 15" (381 mm) in length and 15" (381 mm) in width. Sink shall be Kohler Model K-6579-\_\_\_\_\_-\_\_\_\_\_.

# NORTHLAND™

## Technical Information

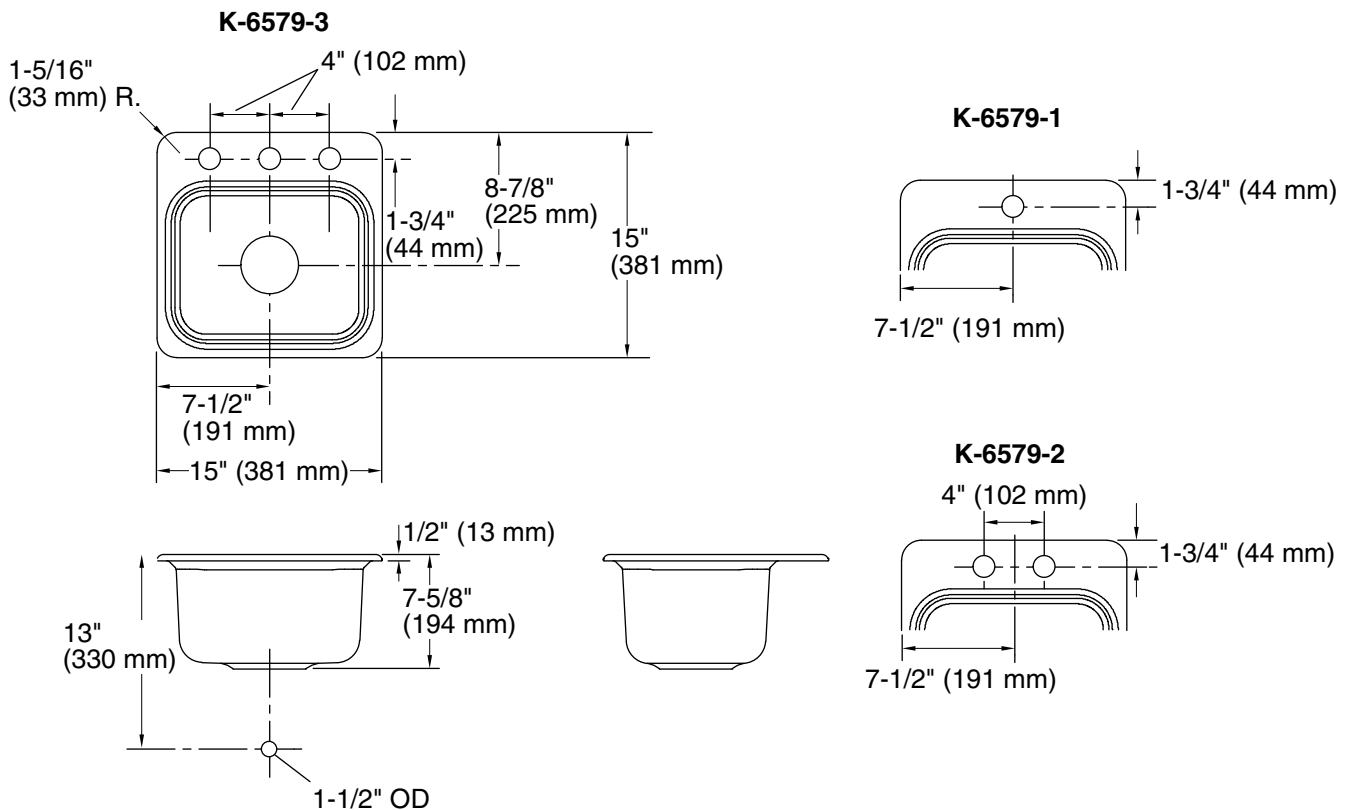
|   |                                |
|---|--------------------------------|
| Fixture*:                                       |                                |
| Bowl area                                       | 9-1/4" (235 mm) x 12" (305 mm) |
| Water depth                                     | 7" (178 mm)                    |
| Drain hole                                      | Ø 3-7/8" (98 mm)               |
| Faucet holes                                    | Ø 1-3/8" (35 mm)               |
| * Approximate measurements for comparison only. |                                |

## Installation Notes

Install this product according to the installation guide.

Cutout is 14-1/4" (362 mm) by 14-1/4" (362 mm) with 1" (25 mm) radius corners.

Will comply with **ADA** when installed per Section 606 exception 1 of the Act.



## Product Diagram