

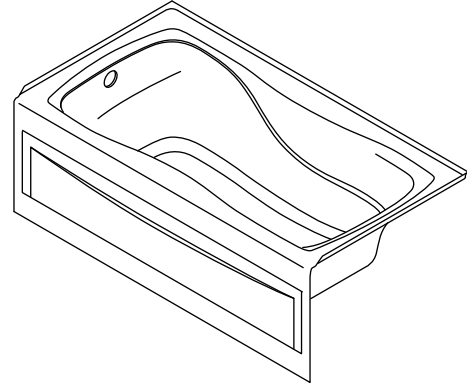
### Features

- Acrylic
- Integral apron
- Integral tile flange
- Left or right drain
- Alcove installation
- Textured bottom surface
- 60" (1524 mm) x 32" (813 mm) x 20" (508 mm)

### Codes/Standards Applicable

Specified model meets or exceeds the following:

- CSA B45.5/IAPMO Z124



### Colors/Finishes

- 0: White
- Other: Refer to Price Book for additional colors/finishes

### Accessories

- CP: Polished Chrome
- SH: Bright Silver

### Specified Model

Model	Description	Colors/Finishes	
K-1219-LA	Bath with integral apron and integral tile flange – left-hand drain (shown)	<input type="checkbox"/> 0	<input type="checkbox"/> Other _____
K-1219-RA	Bath with integral apron and integral tile flange – right-hand drain	<input type="checkbox"/> 0	<input type="checkbox"/> Other _____

#### Recommended Accessories

K-7161-AF	Bath drain – for above or through-the-floor installation	<input type="checkbox"/> CP	<input type="checkbox"/> Other _____
-----------	--	-----------------------------	--------------------------------------

#### Optional Accessories

K-1278	Removable apron	<input type="checkbox"/> 0	<input type="checkbox"/> Other _____
K-1491	Removable pillow	<input type="checkbox"/> 0	<input type="checkbox"/> Other _____
K-1601	Footstop	<input type="checkbox"/> 0	<input type="checkbox"/> Other _____

### Product Specification:

The acrylic bath shall with integral apron shall be 60" (1524 mm) in length, 32" (813 mm) in width, and 20" (508 mm) in height. Bath shall have a left or right drain. Bath shall feature an integral tile flange and textured bottom surface. Bath shall be for alcove installations. Bath shall be Kohler Model K-1219-\_\_\_\_-\_\_\_\_.

# HOURGLASS® 32

## Technical Information

Fixture*:	
Bathing well:	
Basin area, bottom	47" (1194 mm) x 20" (508 mm)
Basin area, top	53" (1346 mm) x 23" (584 mm)
Weight	80 lbs (36.3 kg)
To overflow	
Water depth	14-1/2" (368 mm)
Capacity	64 gal (242.3 L)
* Approximate measurements for comparison only.	

## Installation Notes

Install this product according to the installation guide.

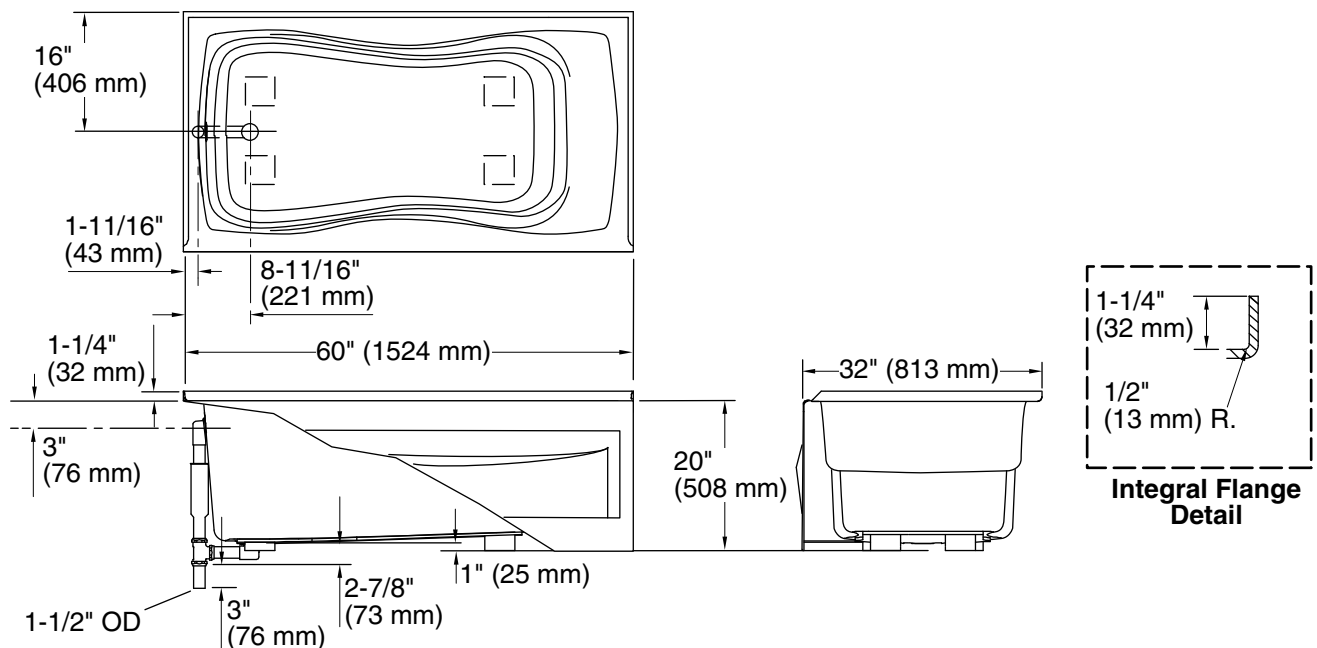
Floor support under this product must provide for a minimum of 48 lbs/square foot (234 kg/square meter) loading.

The hot water supply should be 70% of the capacity of the bath or greater. Installations will vary.

Rim-mount faucet installations: Before drilling the mounting holes, ensure the faucet does not interfere with the drain overflow and circulating system.

Deck-mount spout installations: Consult local and national codes for minimum air gap requirements.

No change in measurements if connected with drain illustrated. (K-7161-AF)



## Product Diagram