

Features

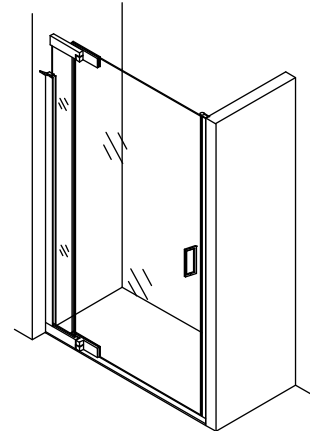
- CleanCoat® glass coating
- Frameless design maximizes glass area
- Right or left door swing
- 3" (76 mm) of door width adjustment
- 1/4" (6 mm) thick tempered safety glass door
- 3/8" (10 mm) thick tempered safety glass stationary panel for stability
- Installs on fiberglass, acrylic, or custom tiled applications
- Solid brass door handle
- 72" (1829 mm) height

Codes/Standards Applicable

- Specified model meets or exceeds the following:
- ANSI Z97.1 (tempered glass)
 - 16 CFR Part 1201

PIVOT SHOWER DOORS K-702010

ALSO K-702011, K-702012, K-702013



Colors/Finishes

- BN: Brushed Nickel
- SH: Bright Silver

Glass Options

- D3: Frosted
- L: Clear

Specified Model

Model	Description	Glass Options		Colors/ Finishes	
*K-702010	Pivot shower door	D3	L	BN	SH
K-702011	Pivot shower door	D3	L	BN	SH
K-702012	Pivot shower door	D3	L	BN	SH
*K-702013	Pivot shower door	D3	L	BN	SH
* Stock doors					

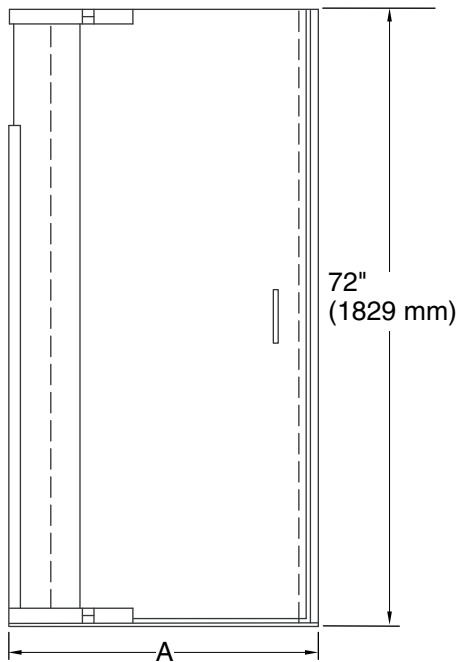
Product Specification

The pivot shower door shall be 72" (1829 mm) height with 3" (76 mm) of door width adjustment and CleanCoat™ glass coating. The shower door shall feature a frameless design to maximize the glass area with 1/4" (6 mm) thick tempered safety glass door, and 3/8" (10 mm) tempered safety glass stationary panel for stability. The shower door shall install on fiberglass, acrylic, or custom tiled applications with a right or left door swing. The shower door shall feature a solid brass door handle. The shower door shall be Kohler Model K-_____-_____-_____.

PURIST®

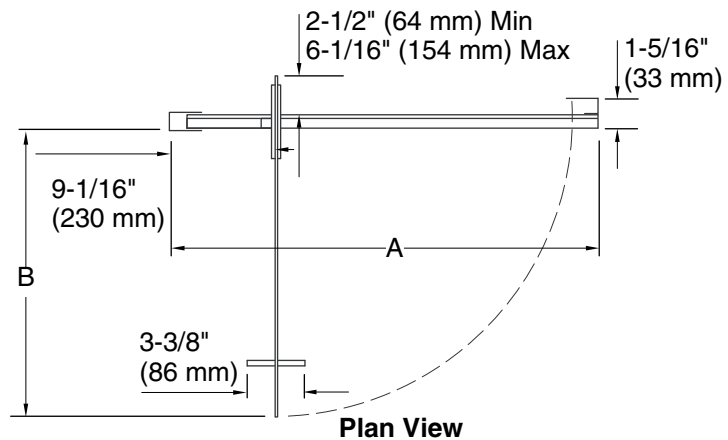
Installation Notes

Install this product according to the installation guide.



	A	B
K-702010	30" (762 mm) 33" (838 mm)	20-5/16" (516 mm) Min 23-15/16" (608 mm) Max
K-702011	33" (838 mm) 36" (914 mm)	23-5/16" (592 mm) Min 26-15/16" (684 mm) Max
K-702012	36" (914 mm) 39" (991 mm)	26-5/16" (668 mm) Min 29-15/16" (760 mm) Max
K-702013	39" (991 mm) 42" (1067 mm)	29-5/16" (745 mm) Min 32-15/16" (837 mm) Max

Note: A minimum of 1-1/2" (38 mm) open area above the height of the door, 72" (1829 mm), is required for side panel and door installation.



Product Diagram