

**FINIAL® TRADITIONAL**

**Features**

- Brass construction
- Deck-mount
- Traditional handles
- Available with contrasting handle caps and ends

**BATH FAUCET TRIM**

**K-T333**

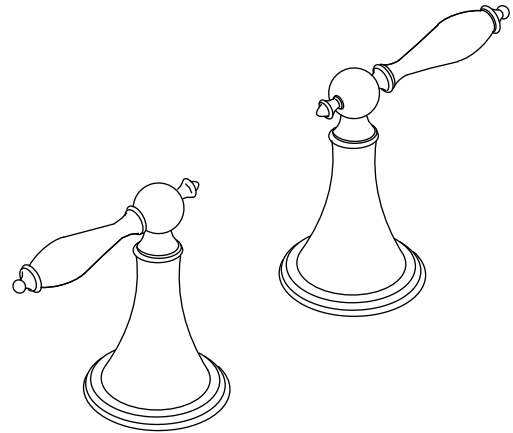
**ALSO K-300-K, K-300-KR, K-301-K**

**ADA**

**Codes/Standards Applicable**

Specified model meets or exceeds the following:

- ASME A112.18.1/CSA B125.1

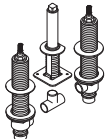
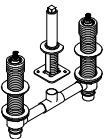


**Colors/Finishes**

- CP: Polished Chrome
- PB: Vibrant® Polished Brass
- Other: Refer to Price Book for additional colors/finishes

**Specified Model**

Model	Description	<input type="checkbox"/> CP	<input type="checkbox"/> PB	
K-T333-4F	With Biscuit Accents	<input type="checkbox"/> CP	<input type="checkbox"/> PB	
K-T333-4M	With Polished Finish Accents	<input type="checkbox"/> CP	<input type="checkbox"/> PB	<input type="checkbox"/> Other ____
K-T333-4P	With White Accents	<input type="checkbox"/> CP	<input type="checkbox"/> PB	

Required Accessory			
K-300-K	1/2" High-Flow Ceramic Disc Valve System	<input type="checkbox"/> NA	
K-301-K	3/4" High-Flow Ceramic Disc Valve System	<input type="checkbox"/> NA	
K-300-KR	1/2" High-Flow Ceramic Disc Valve System		<input type="checkbox"/> NA

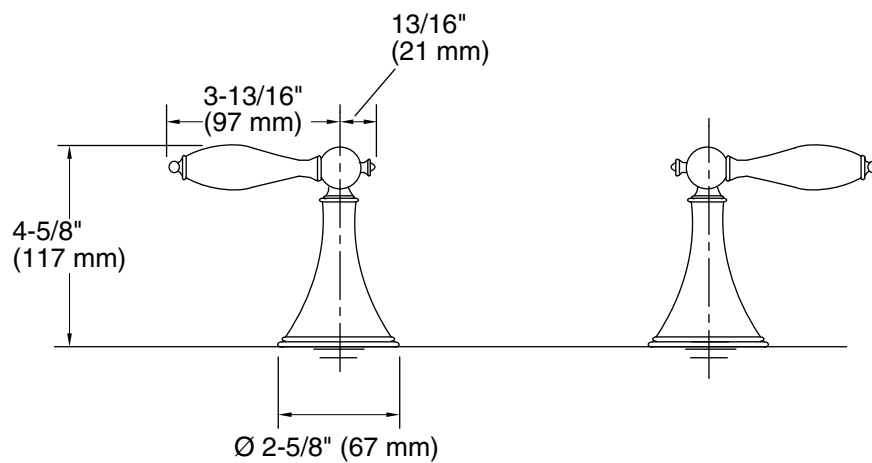
**Product Specification**

Two-handle deck-mount high-flow bath faucet trim shall be of brass construction. Product shall include traditional handles. Faucet trim shall be Kohler Model K-T\_\_\_\_\_-\_\_\_\_ and valve system shall be Kohler Model K-\_\_\_\_\_-\_\_\_\_-NA.

# FINIAL® TRADITIONAL

## Installation Notes

Install this product according to the installation guide.



## Product Diagram