

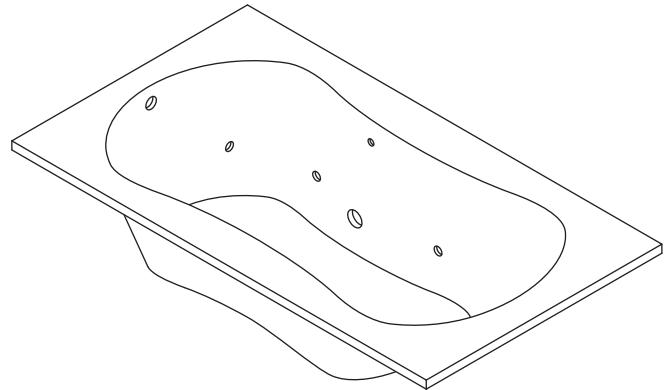
Features

- Acrylic
- Pump with air switch and grounding-type plug-in cord
- Molded lumbar supports and armrests
- 6 individually adjustable ProFlex® hydro-massage jets
- Custom pump locations
- Drop-in
- Optional K-9696 whirlpool trim kit in various finishes
- ADA compliant when installed per ADA guidelines.
- 60" (1524 mm) x 32" (813 mm) x 18-1/8" (460 mm)

Codes/Standards Applicable

Specified model meets or exceeds the following:

- ADA
- ASME A112.19.7
- ANSI Z124.1.2
- UL 1795
- ASTM E162
- ASTM E662
- ICC/ANSI A117.1



Colors/Finishes

- 0: White
- Other: Refer to Price Book for additional colors/finishes

Accessories

- 0: White
- CP: Polished Chrome
- PB: Vibrant® Polished Brass
- Other: Refer to Price Book for additional colors/finishes

Specified Model

| Model | Description | Colors/Finishes | |
|-----------|---------------------------------------|----------------------------|-------------------------------------|
| K-1106-CN | Bath whirlpool – drop-in, custom pump | <input type="checkbox"/> 0 | <input type="checkbox"/> Other_____ |

| Recommended Accessories | | | |
|-------------------------|--|-----------------------------|-------------------------------------|
| K-7213 | Clearflo bath cable drain with PVC tubing | <input type="checkbox"/> CP | <input type="checkbox"/> Other_____ |
| K-7214 | Clearflo bath cable drain without PVC tubing | <input type="checkbox"/> CP | <input type="checkbox"/> Other_____ |
| K-11677 | Adjustable trip lever bath drain | <input type="checkbox"/> CP | <input type="checkbox"/> PB |

Product Specification

The acrylic bath whirlpool shall be 60" (1524 mm) in length, 32" (813 mm) in width, and 18-1/8" (460 mm) in height. Product shall have 6 individually adjustable ProFlex hydro-massage jets, a pump with air switch and grounding-type plug-in cord, and molded lumbar supports and armrests. Product shall have custom pump locations. Product shall be drop-in and ADA compliant when installed with seat at head end. Product shall have an optional K-9696 whirlpool trim kit in various finishes. Bath whirlpool shall be Kohler Model K-1106-CN-_____

PROFLEX® 6032

Optional Accessories

| | | | |
|--------|-----------------------------|----------------------------|-------------------------------------|
| K-1284 | Removable apron | <input type="checkbox"/> 0 | <input type="checkbox"/> Other_____ |
| K-9696 | Jet trim kit – metal finish | <input type="checkbox"/> 0 | <input type="checkbox"/> Other_____ |

Technical Information

| | |
|---|------------------------------|
| Fixture*: | |
| Basin area: | |
| Bottom area | 46" (1168 mm) x 20" (508 mm) |
| Top area | 55" (1397 mm) x 22" (559 mm) |
| Weight | 49 lbs (22 kg) |
| To overflow: | |
| Water depth | 12-1/2" (318 mm) |
| Capacity | 49 gal (185 L) |
| * Approximate measurements for comparison only. | |

| Pump: | V | Hz | A |
|---------|-----|----|-----|
| 1-speed | 120 | 60 | 7.5 |

Required Electrical Service

Dedicated circuit required, protected with Class A Ground-Fault Circuit-Interrupter (GFCI):

Pump/control 120 V, 15 A, 60 Hz

Locate the outlet behind the whirlpool and within 24" (610 mm) of the pump.

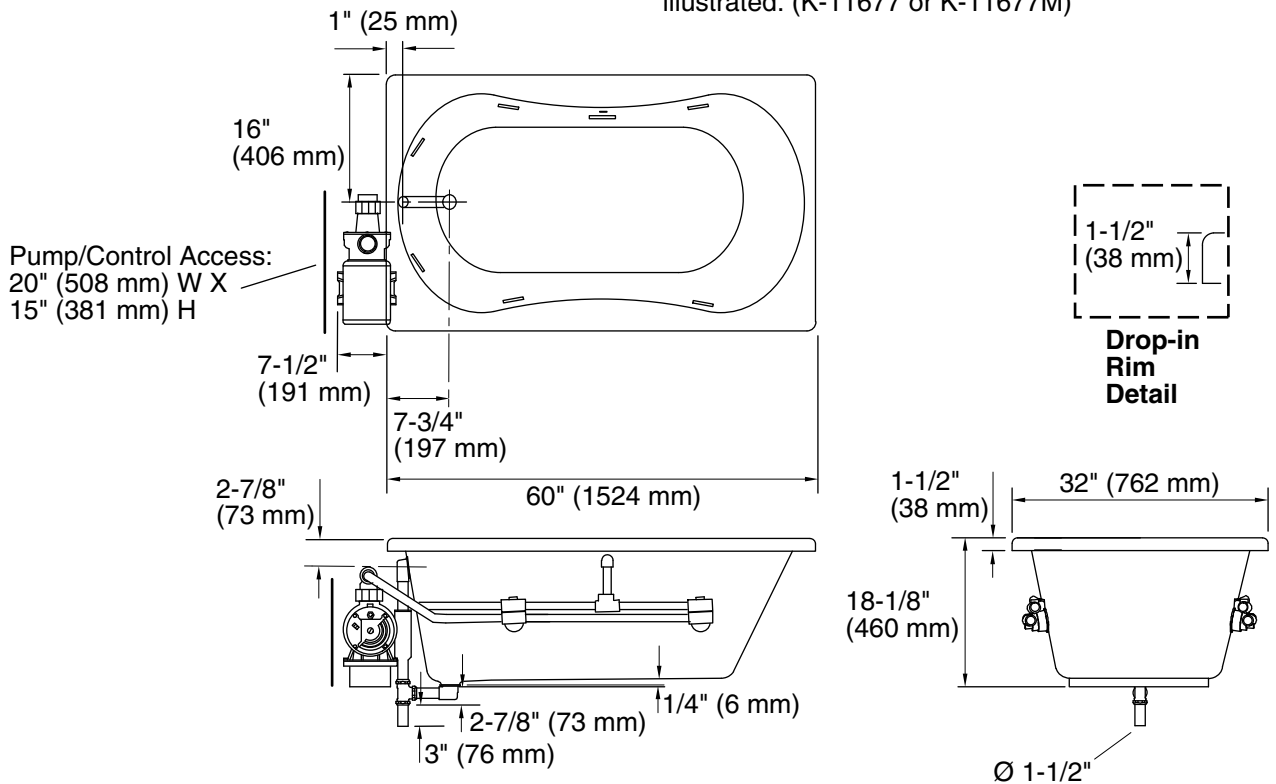
Installation Notes

Install this product according to the installation guide.

Floor support under whirlpool must provide for a minimum of 36 lbs/square foot (177 kg/square meter) loading.

The apron must be installed before the finished floor and wall materials are installed.

No change in measurements if connected with drain illustrated. (K-11677 or K-11677M)



Product Diagram