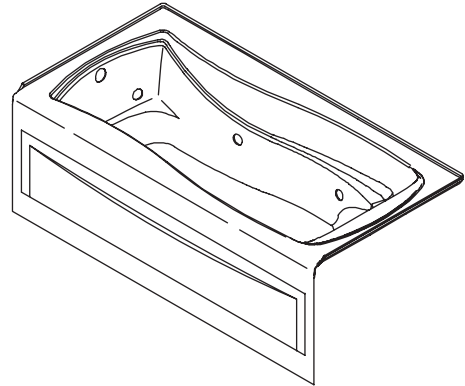


Features

- Acrylic
- Integral apron with removable access panel
- Pump with air switch and grounding-type plug-in cord
- Optional K-1491 removable bath pillow
- 6 individually adjustable multi-directional hydro-message jets
- Integral tile flange for alcove installation
- 72" (1829 mm) x 36" (914 mm) x 20" (508 mm)

BATH WHIRLPOOL WITH INTEGRAL APRON

K-1257-LA
ALSO K-1257-RA



Codes/Standards Applicable

Specified model meets or exceeds the following:

- ANSI Z124.1.2
- ASME A112.19.7
- UL 1795
- ASTM E162
- ASTM E662

Colors/Finishes

- 0: White
- Other: Refer to Price Book for additional colors/finishes

Accessories

- 0: White
- CP: Polished Chrome
- PB: Vibrant® Polished Brass
- Other: Refer to Price Book for additional colors/finishes

Specified Model

Model	Description	Colors/Finishes		
K-1257-LA	Bath whirlpool with integral apron – left drain (shown)	<input type="checkbox"/> 0	<input type="checkbox"/> Other_____	
K-1257-RA	Bath whirlpool with integral apron – right drain	<input type="checkbox"/> 0	<input type="checkbox"/> Other_____	
Recommended Accessories				
K-7166-AF	Adjustable pop-up drain – above or through-the-floor installation	<input type="checkbox"/> CP	<input type="checkbox"/> PB	<input type="checkbox"/> Other_____
Optional Accessories				
K-1491	Pillow	<input type="checkbox"/> 0		<input type="checkbox"/> Other_____
K-9696	Jet trim kit – metal finishes		<input type="checkbox"/> CP	<input type="checkbox"/> PB <input type="checkbox"/> Other_____

Product Specification

The acrylic bath whirlpool shall be 72" (1829 mm) in length, 36" (914 mm) in width, and 20" (508 mm) in height. Product shall feature an integral apron with removable access panel, and integral tile flange for alcove installation. Product shall have 6 individually adjustable multi-directional hydro-message jets, a pump with air switch and cord with plug. Product shall have an optional K-1491 removable pillow. Bath whirlpool shall be Kohler Model K-1257-____-____.

MARIPOSA®

Technical Information

Fixture*:			
Bathing well:			
Basin area, bottom	50" (1207 mm) x 24" (610 mm)		
Basin area, top	65" (1651 mm) x 27" (686 mm)		
Weight	110 lbs (49.9 kg)		
To overflow:			
Water depth	14" (356 mm)		
Capacity	72 gal (272.5 L)		
* Approximate measurements for comparison only.			
Pump:	V	Hz	A
1-speed	120	60	7.5

Required Electrical Service

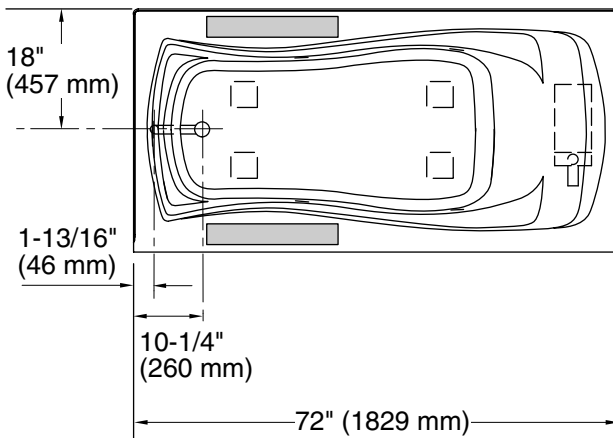
Dedicated circuit required, protected with Class A Ground-Fault Circuit-Interrupter (GFCI):	
Pump/control	120 VAC, 15 A, 60 Hz
Locate the outlet behind the whirlpool and within 24" (610 mm) of the pump.	

Installation Notes

Install this product according to the installation guide.

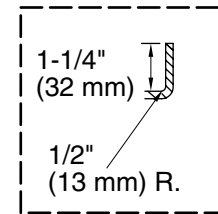
Floor support under whirlpool must provide for a minimum of 41 lbs/square foot (200 kg/square meter) loading.

If installing a rim-mount faucet, make sure there is no interference with drain overflow and circulating system before drilling any holes. Consult local and national codes for minimum air gap requirements if installing a spout on the faucet deck.

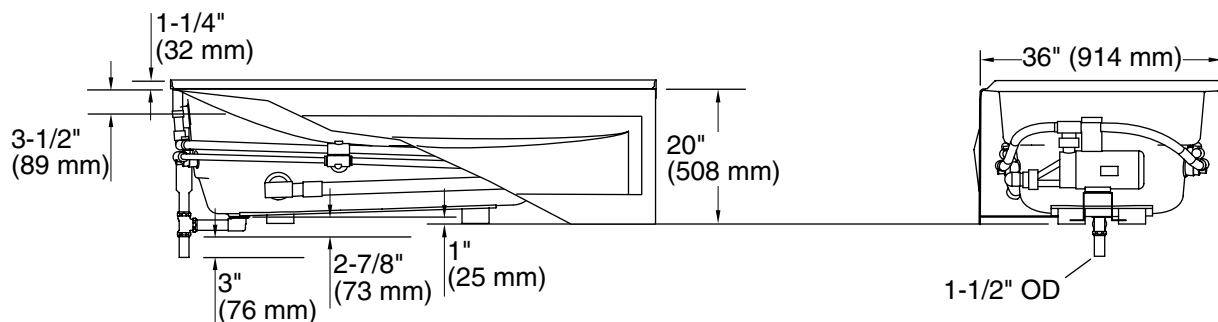


No change in measurements if connected with drain illustrated. (K-11677 or K-11677M)

■ Recommended Faucet Area



Integral Flange Detail



Product Diagram