

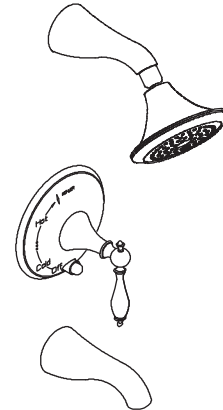
Features

- Brass construction
- 5-3/4" (146 mm) spout with NPT connection
- Traditional handle
- Push-button diverter
- Available with contrasting or matching finish faceplate and handle accents

Codes/Standards Applicable

Specified model meets or exceeds the following:

- ASSE 1016
- ASME A112.18.1/CSA B125.1



Colors/Finishes

- CP: Polished Chrome
- PB: Vibrant® Polished Brass
- Other: Refer to Price Book for additional colors/finishes

Accessories

- NA: None applicable

Specified Model

Model	Description	Colors/Finishes		
K-T312-4F	Bath & shower trim set with biscuit accents	<input type="checkbox"/> CP	<input type="checkbox"/> PB	<input type="checkbox"/> Other_____
K-T312-4M	Bath & shower trim set with polished finish accents	<input type="checkbox"/> CP	<input type="checkbox"/> PB	<input type="checkbox"/> Other_____
K-T312-4P	Bath & shower trim set with white accents	<input type="checkbox"/> CP	<input type="checkbox"/> PB	<input type="checkbox"/> Other_____

Required Accessories

K-305-K	Rite-Temp® valve with push-button diverter, without stops OR	<input type="checkbox"/> NA
K-305-KS	Rite-Temp® valve with push-button diverter, with stops	<input type="checkbox"/> NA

Product Specification

Bath & shower trim set shall be of brass construction. Product shall include showerhead with arm, 5-3/4" (146 mm) spout with NPT connection, faceplate with traditional handle, and push-button diverter. Faucet trim shall be Kohler Model K-T312-_____-_____- and Rite-Temp valve shall be K-305-_____-NA.

FINIAL® TRADITIONAL

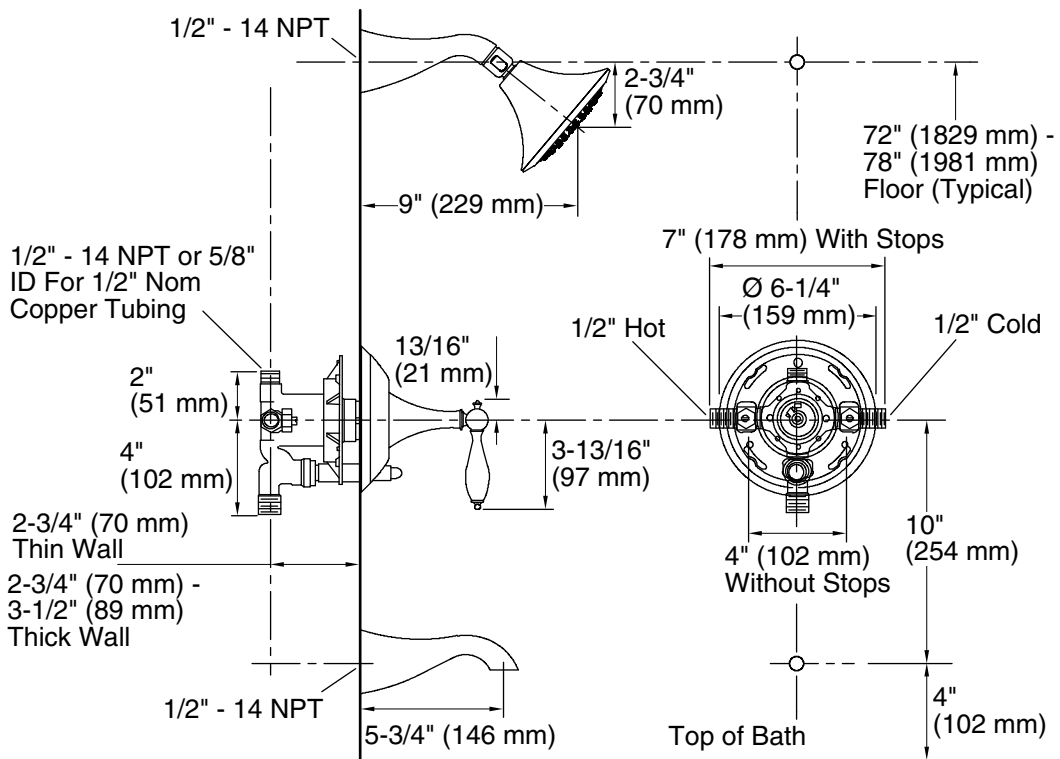
Installation Notes

Install this product according to the installation guide.

Avoid cross-flow conditions. Do not install shut-off device on either valve outlet.

Cap shower outlet if deck-mount spout, diverter, or handshower is connected to spout outlet.

Install straight pipe or tube drop of 7" (178 mm) to 18" (457 mm) with single elbow between valve and wall-mount spout.



Product Diagram