

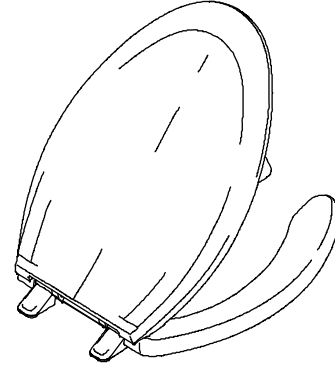
Features

- Solid polypropylene plastic
- Ergonomic contour adds additional comfort
- Elongated open-front
- With cover
- Anti-microbial agent inhibits growth of odor-causing bacteria, mold, and mildew [-A]
- Stainless steel mounting bolts

Codes/Standards Applicable

Specified model meets or exceeds the following:

- ANSI Z124.5



Colors/Finishes

- 0: White
- 7: Black Black™

Specified Model

Model	Description	Colors/Finishes	
		<input type="checkbox"/> 0	<input type="checkbox"/> 7
K-4650	Elongated open-front seat	<input type="checkbox"/> 0	<input type="checkbox"/> 7
K-4650-A	Elongated open-front seat – anti-microbial agent	<input type="checkbox"/> 0	

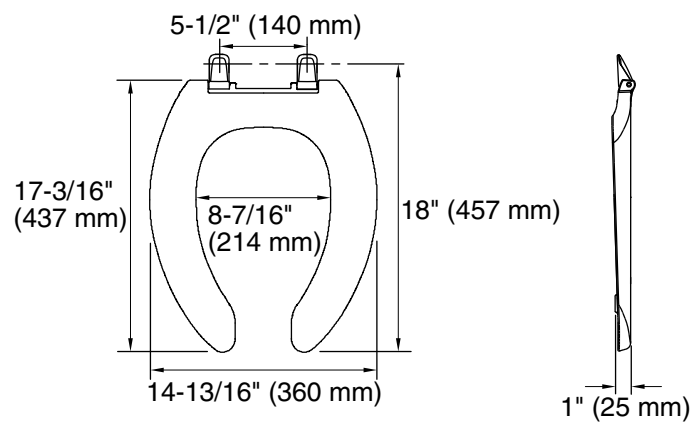
Product Specification

The toilet seat shall be made of solid polypropylene plastic. Product shall be with cover. Product shall feature an ergonomic contour which adds additional comfort. Product shall be available with an elongated open-front. Product shall have stainless steel mounting bolts. Product shall be available with an anti-microbial agent which inhibits growth of odor-causing bacteria, mold, and mildew [-A]. Toilet seat shall be Kohler Model K-____-____ or K-____-A-____.

LUSTRA™

Installation Notes

Install this product according to the installation guide.



Product Diagram