

UNDER-MOUNT BATHROOM SINK K-2336

ADA

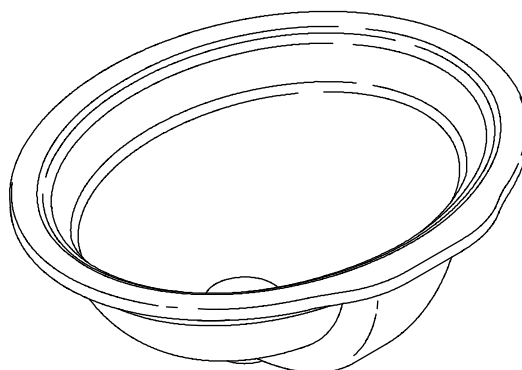
Features

- Vitreous china
- Under-mount
- Includes 52047 clamp assembly
- 18-1/8" (460 mm) x 14" (356 mm)

Codes/Standards Applicable

Specified model meets or exceeds the following:

- ADA
- ASME A112.19.2/CSA B45.1
- ICC/ANSI A117.1



Colors/Finishes

- 0: White
- Other: Refer to Price Book for additional colors/finishes

Accessories:

- CP: Polished Chrome
- Other: Refer to Price Book for additional colors/finishes

Specified Model

Model	Description	Colors/Finishes	
K-2336	Bathroom sink	<input type="checkbox"/> 0	<input type="checkbox"/> Other_____
Recommended Accessory			
K-9018	P-Trap	<input type="checkbox"/> CP	<input type="checkbox"/> Other_____

Product Specification

The under-mount bathroom sink shall be 18-1/8" (460 mm) in length, and 14" (356 mm) in width. Bathroom sink shall be made of vitreous china. Bathroom sink shall include 52047 clamp assembly. Bathroom sink shall be Kohler Model K-2336-_____.

DEVONSHIRE®

Technical Information

Fixture*:	
Basin area	18-1/8" (460 mm) x 14" (356 mm)
Water depth	4-3/16" (106 mm)
Drain hole	Ø 1-3/4" (44 mm)
* Approximate measurements for comparison only.	

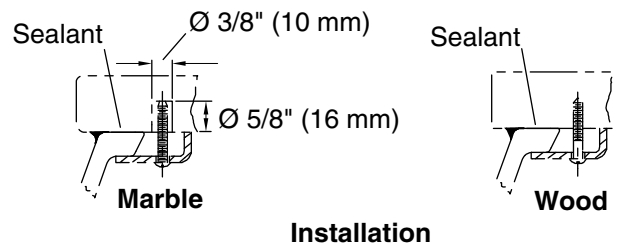
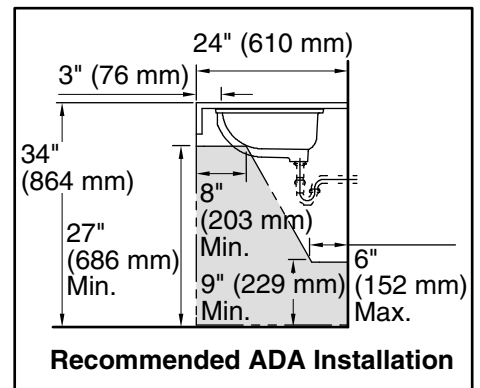
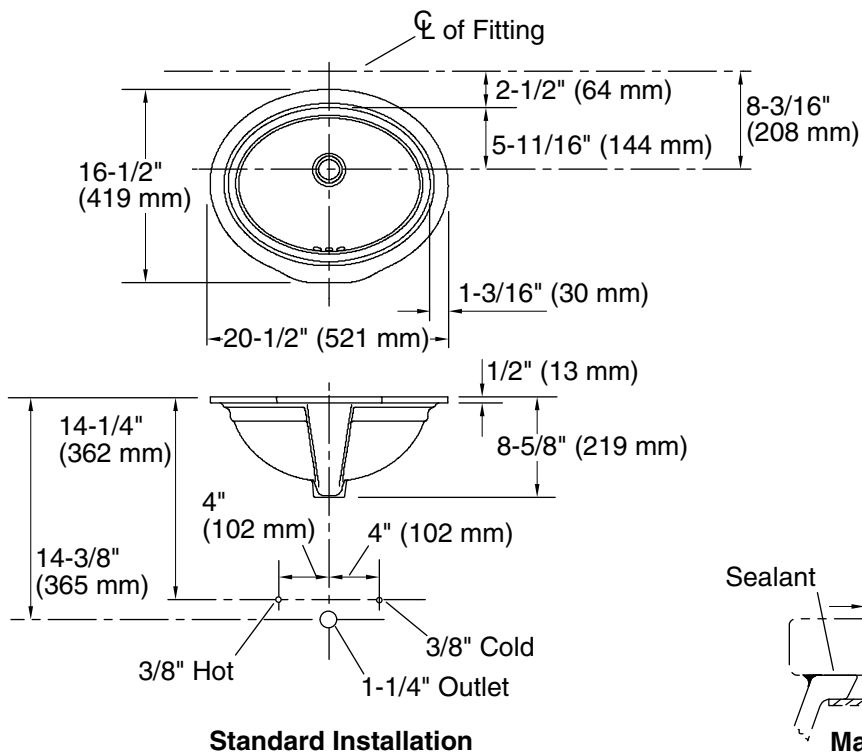
Included Components:	
Basin clamp assembly	52047
Cut-out template	1050263-7

Installation Notes

Install this product according to the installation guide.

Supplied basin clamp assemblies require 1" (25 mm) minimum countertop thickness. Installer must supply anchors for thinner countertops.

NOTICE: Countertop manufacturer or cutter must use the cutout template provided with the product, or a current one provided by Kohler (call 1-800-4-KOHLER). Kohler is not responsible for cutout errors when incorrect cutout template is used.



Product Diagram