

Features

- Vitreous china
- Under-mount
- Includes 52047 clamp assembly
- 18-1/4" (464 mm) x 14-1/2" (368 mm)

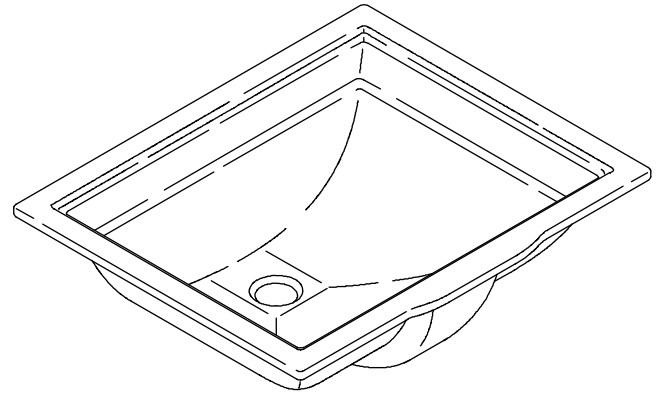
UNDER-MOUNT BATHROOM SINK K-2339

ADA

Codes/Standards Applicable

Specified model meets or exceeds the following:

- ADA
- ASME A112.19.2/CSA B45.1
- ICC/ANSI A117.1



Colors/Finishes

- 0: White
- Other: Refer to Price Book for additional colors/finishes

Accessories:

- CP: Polished Chrome
- Other: Refer to Price Book for additional colors/finishes

Specified Model

Model	Description	Colors/Finishes	
K-2339	18-1/4" (464 mm) x 14-1/2" (368 mm) bathroom sink	<input type="checkbox"/> 0	<input type="checkbox"/> Other_____
Recommended Accessory			
K-9018	P-Trap	<input type="checkbox"/> CP	<input type="checkbox"/> Other_____

Product Specification

The under-mount bathroom sink shall be 18-1/4" (464 mm) in length, and 14-1/2" (368 mm) in width. Bathroom sink shall be made of vitreous china. Bathroom sink shall include 52047 clamp assembly. Bathroom sink shall be Kohler Model K-2339-_____.

MEMOIRS®

Technical Information

Fixture:*		Basin area	Water depth
Bathroom sink		18-1/4" (464 mm) x 14-1/2" (368 mm)	5-3/16" (132 mm)
Drain hole	Ø 1-3/4" (44 mm)		

* Approximate measurements for comparison only.

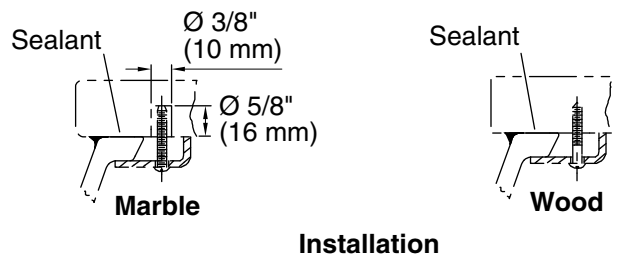
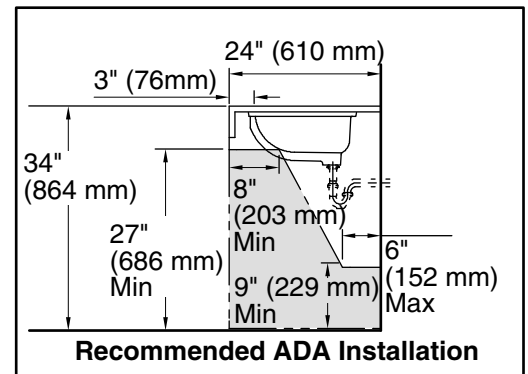
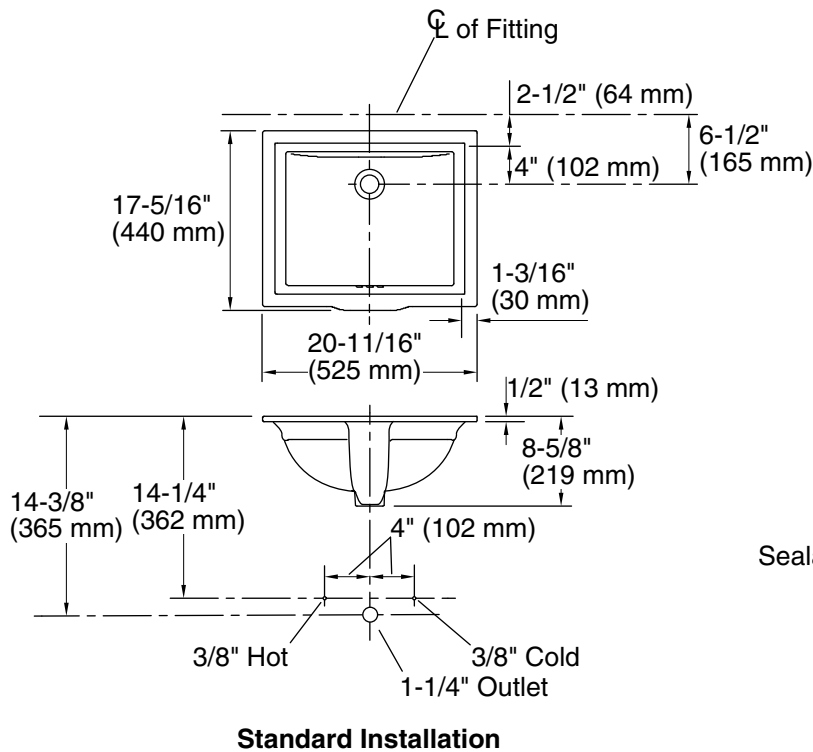
Included Components:	
Basin clamp assembly	52047
Cutout template	1031348-7

Installation Notes

Install this product according to the installation guide.

Supplied basin clamp assemblies require 1" (25 mm) minimum countertop thickness. Installer must supply anchors for thinner countertops.

NOTICE: Countertop manufacturer or cutter must use the cutout template provided with the product, or a current one provided by Kohler (call 1-800-4-KOHLER). Kohler is not responsible for cutout errors when incorrect cutout template is used.



Product Diagram