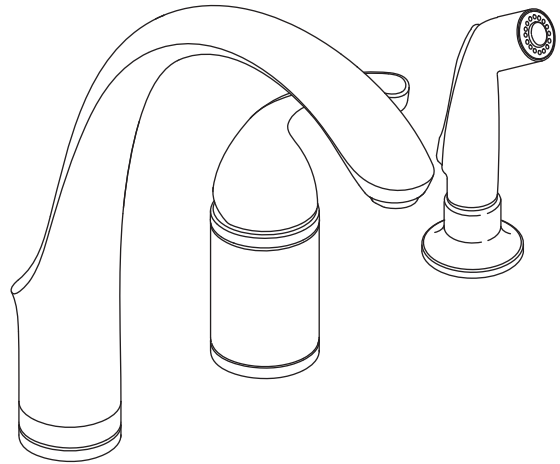


Features

- Metal construction
- One-piece, self-contained ceramic disc valve allows both volume and temperature control
- Temperature memory allows faucet to be turned on and off at any temperature setting
- High-temperature limit setting for added safety
- 9" (229 mm) swing spout reach
- Matching finish sidespray
- Flexible supplies
- Lower flow aerator options are available (refer to the Kohler Price Book)
- 2.2 gpm (8.3 lpm) maximum flow rate

**REMOTE VALVE KITCHEN SINK
FAUCET
K-10430**

ADA



Codes/Standards Applicable

Specified model meets or exceeds the following at date of manufacture:

- ADA
- ASME A112.18.1/CSA B125.1
- ICC/ANSI A117.1
- Energy Policy Act of 2005
- NSF 61
- All applicable US Federal and State material regulations

Colors/Finishes

- CP: Polished Chrome
- BN: Brushed Nickel
- Other: Refer to Price Book for additional colors/finishes

Accessories

- NA: None applicable

Specified Model

Model	Description	Colors/Finishes		
K-10430	Remove valve kitchen sink faucet	<input type="checkbox"/> CP	<input type="checkbox"/> BN	<input type="checkbox"/> Other ____
Optional Accessories				
1030920	Sidespray deep roughing-in kit	<input type="checkbox"/> NA		

Product Specification

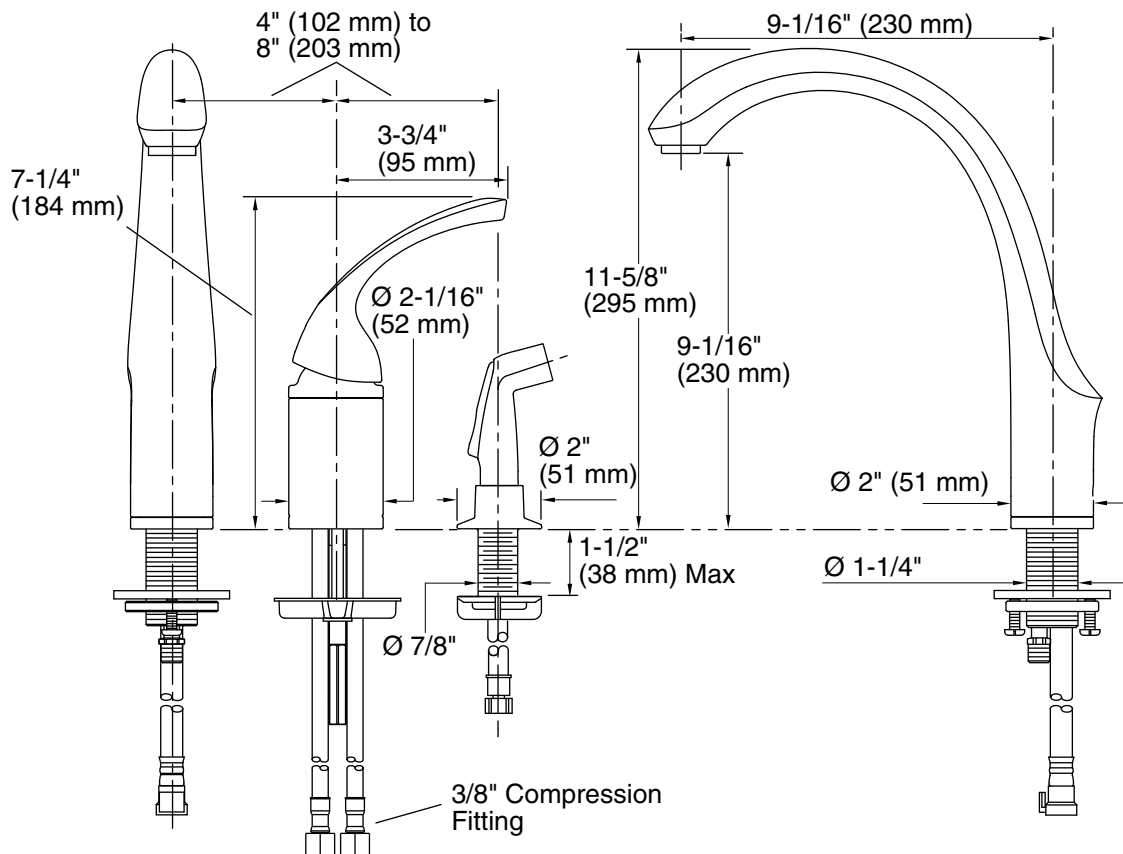
The single-handle remote valve kitchen sink faucet with remote lever handle shall be of metal construction. Product shall have a maximum flow rate of 2.2 gallons (8.3 L) per minute with lower flow aerator options available (refer to the Kohler Price Book). Product shall feature a one-piece, self-contained ceramic disc valve, which allows both volume and temperature control. Product shall feature temperature memory, allowing the faucet to be turned on and off at any temperature setting. Product shall feature a high-temperature limit setting for added safety, 9" (229 mm) swing spout reach, matching finish sidespray, and flexible supplies. Faucet shall be Kohler Model K-10430-____.

FORTÉ®

Installation Notes

Install this product according to the installation guide.

ADA compliant when installed to the specific requirement of the regulation.



Product Diagram