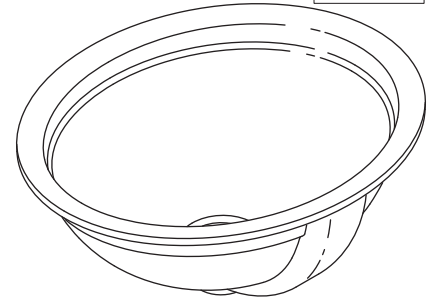


Features

- Vitreous china
- Under-mount
- With overflow
- Includes 52047 clamp assembly
- 17" (432 mm) x 14" (356 mm) x 8-1/2" (216 mm)

UNDER-MOUNT BATHROOM SINK K-2319

ADA



Codes/Standards Applicable

Specified model meets or exceeds the following:

- ADA
- ASME A112.19.2/CSA B45.1
- ICC/ANSI A117.1

Colors/Finishes

- 0: White
- Other: Refer to Price Book for additional colors/finishes

Accessories

- CP: Polished Chrome
- Other: Refer to Price Book for additional colors/finishes

Specified Model

| Model | Description | Colors/Finishes | |
|-------------------------|---------------------------|-----------------------------|-------------------------------------|
| K-2319 | Under-mount bathroom sink | <input type="checkbox"/> 0 | <input type="checkbox"/> Other_____ |
| Recommended Accessories | | | |
| K-8998 | P-Trap | <input type="checkbox"/> CP | <input type="checkbox"/> Other_____ |

Product Specification

The under-mount bathroom sink shall be made of vitreous china. Bathroom sink shall have overflow. Bathroom sink shall include 52047 clamp assembly. Bathroom sink shall be 17" (432 mm) in length x 14" (356 mm) in width x 8-1/2" (216 mm) in height. Bathroom sink shall be Kohler Model K-2319-_____.

BANCROFT®

Technical Information

| | |
|-------------------------------------------------|--------------------------------------|
| Fixture*: | |
| Basin area | 17-1/4" (438 mm) x 14-1/16" (357 mm) |
| Water depth | 5" (127 mm) |
| Drain hole | Ø 1-3/4" (44 mm) |
| * Approximate measurements for comparison only. | |

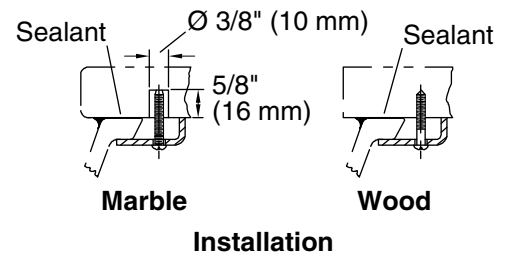
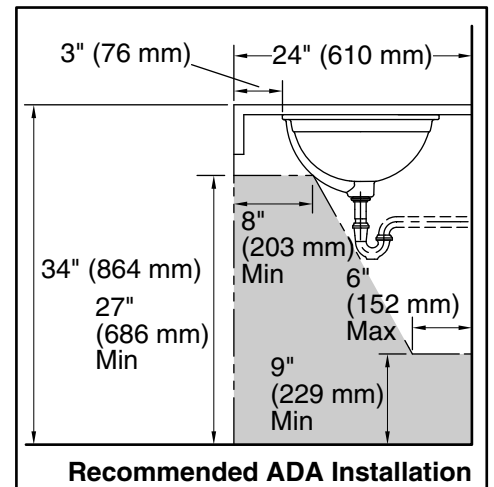
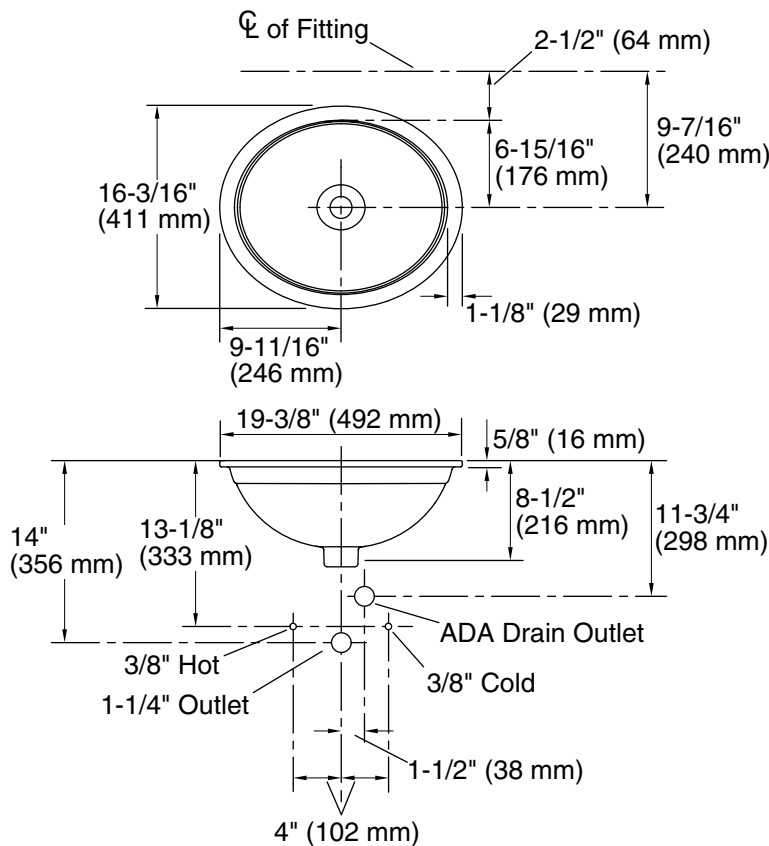
| | |
|----------------------|-----------|
| Included components: | |
| Basin clamp assembly | 52047 |
| Cut-out template | 1002975-7 |

Installation Notes

Install this product according to the installation guide.

Supplied basin clamp assembly require 1" (25 mm) minimum countertop thickness. Installer must supply anchors for thinner countertops.

NOTICE: Countertop manufacturer or cutter must use the cut-out template provided with the product, or a current one provided by Kohler Co. (call 1-800-4KOHLER). Kohler Co. is not responsible for cut-out errors when incorrect cut-out template is used.



Product Diagram