

Features

- Metal construction
- Intended for use with Rite-Temp® or HiFlow Rite-Temp® valves
- Variety of handle style options
- Includes faceplate and handle
- Available with 5-1/4" (133 mm) diverter bath spout with NPT or slip-fit connection

BATH & SHOWER TRIM SET **K-T10274** ALSO K-T10275



Codes/Standards Applicable



Specified model meets or exceeds the following:

- ASME A112.18.1/CSA B125.1

Colors/Finishes

- CP: Polished Chrome
- NA: None applicable
- Other: Refer to Price Book for additional colors/finishes

Specified Model

Model	Description				
K-T10274-4	Bath & shower trim, sculpted lever handle, NPT spout	<input type="checkbox"/> CP	<input type="checkbox"/> Other ____		
K-T10274-4A	Bath & shower trim, traditional lever handle, NPT spout			<input type="checkbox"/> CP	<input type="checkbox"/> Other ____
K-T10275-4	Bath & shower trim, sculpted lever handle, slip-fit spout	<input type="checkbox"/> CP	<input type="checkbox"/> Other ____		
K-T10275-4A	Bath & shower trim, traditional lever handle, slip-fit spout			<input type="checkbox"/> CP	<input type="checkbox"/> Other ____

Rite-Temp® valve must be ordered to complete trim.

Product Specification

The single-handle bath & shower trim set shall be made of metal construction. Bath & shower trim set shall include showerhead with arm and flange, 5-1/4" (133 mm) diverter spout with NPT or slip-fit connection, and faceplate with handle. Faucet trim shall be K-T_____-_____-_____- and Rite-Temp® valve shall be K-304-_____-NA OR K-2791-KS-NA HiFlow Rite-Temp® valve.

FORTE®

Required Accessories

K-304-*	Rite-Temp valve OR	<input type="checkbox"/> NA
K-2971-KS	HiFlow Rite-Temp valve with stops	<input type="checkbox"/> NA

* For a complete listing of all the Rite-Temp valves, refer to the K-304-* Specification Sheet or Roughing-In sheet.

Optional Accessories

88526	HiFlow Rite-Temp® thin wall installation kit	<input type="checkbox"/> CP	<input type="checkbox"/> Other _____	
1025388	Forte® deep roughing-in kit for Rite-Temp® valve (lever handles)			<input type="checkbox"/> NA

Installation Notes

Install this product according to the installation guide.

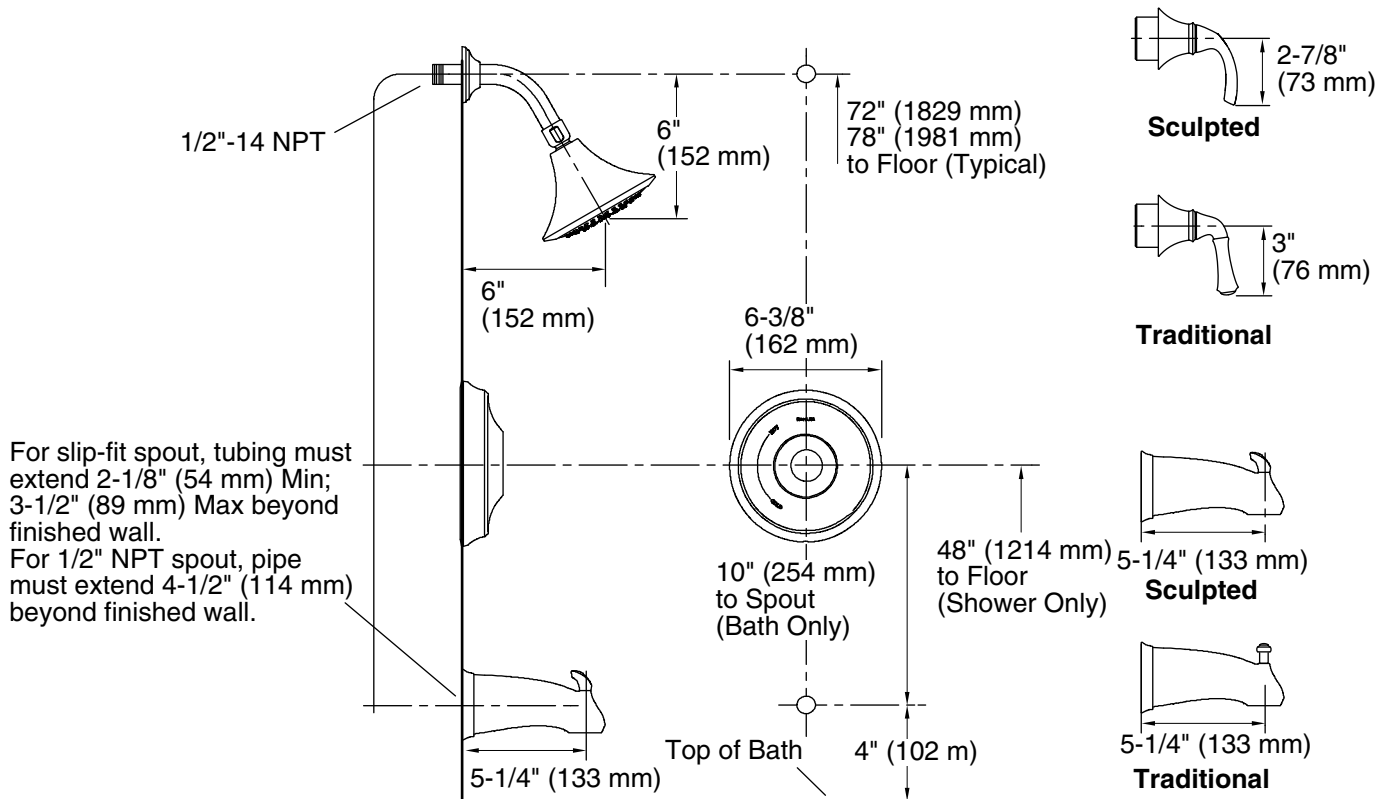
Install the Rite-Temp® valve according to the valve installation guide.

NOTICE: Risk of product damage. Long screws, for installing trim, can damage the K-2971-KS valve. Consult the trim installation guide to verify if the thin wall installation kit (88526) is needed.

Avoid cross-flow conditions. Do not install shut-off device on either valve outlet.

Cap shower outlet if deck-mounted spout, diverter, or handshower is connected to the spout outlet.

Install straight pipe or tube drop of 7" (178 mm) to 18" (457 mm) with single elbow between valve and wall-mount spout.



Product Diagram