

### UNDER-MOUNT KITCHEN SINK K-3186

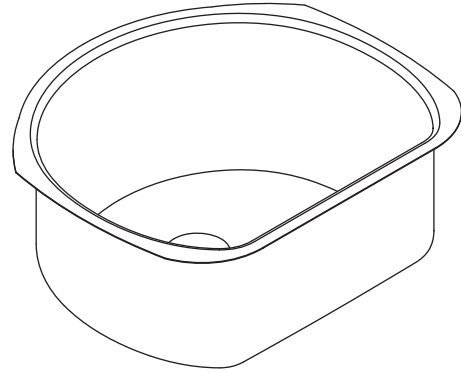
#### Features

- 18-gauge stainless steel
- Under-mount
- Single compartment
- Includes installation hardware
- 19" (483 mm) x 22" (560 mm)

#### Codes/Standards Applicable

Specified model meets or exceeds the following:

- ASME A112.19.3/CSA B45.4



#### Colors/Finishes

- NA: None applicable

#### Accessories

- CP: Polished Chrome
- Other: Refer to Price Book for additional colors/finishes

#### Specified Model

Model	Description	Colors/Finishes	
K-3186	Under-mount kitchen sink	<input type="checkbox"/> NA	
Optional Accessories			
K-8801	Duostrainer® sink strainer	<input type="checkbox"/> CP	<input type="checkbox"/> Other_____

#### Product Specification

The under-mount kitchen sink shall be made of 18-gauge stainless steel. Sink shall be 19" (483 mm) in length and 22" (560 mm) in width. Sink shall be single compartment. Sink shall include installation hardware. Sink shall be Kohler Model K-3186-NA.

# UNDERTONE®

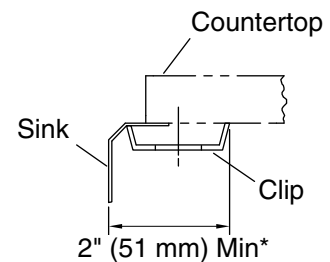
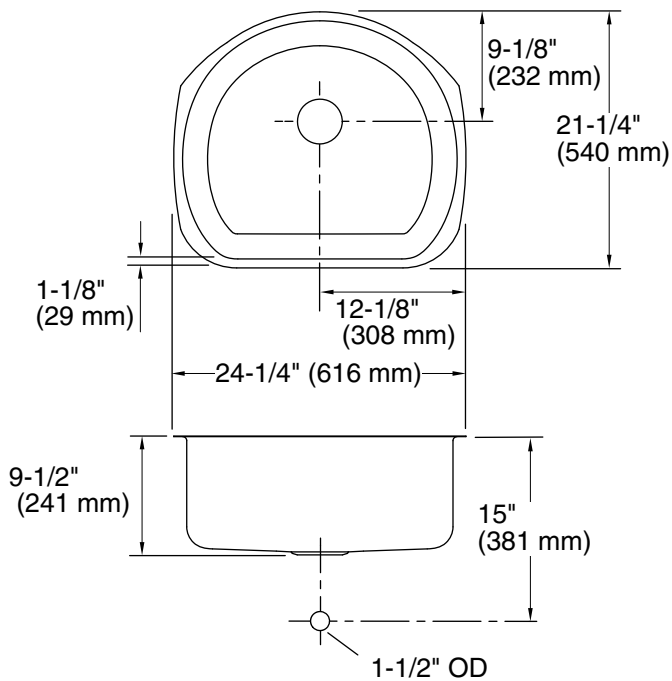
## Technical Information

Fixture:*	
Bowl area	19" (483 mm) x 22" (560 mm)
Water depth	9-1/2" (241 mm)
Drain Hole	Ø 3-5/8" (92 mm)
* Approximate measurements for comparison only.	

Included components:	
Hardware kit (4 required)	91915
Cut-out template	1040321-7

## Installation Notes

Install this product according to the installation guide.



\* Allow clearance around sink rim for clip attachment.

## Product Diagram