

Features

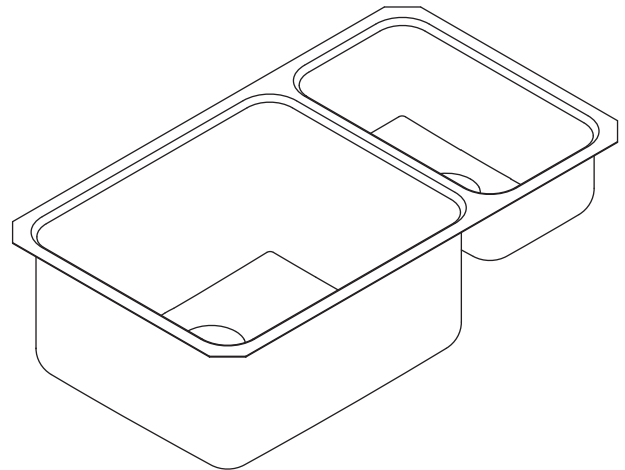
- 18-gauge stainless steel
- Under-mount
- Includes installation hardware
- Squared bowl(s)
- 29-1/4" (743 mm) x 15-3/4" (400 mm)
- 9-1/2" (241 mm) deep left bowl and 5-1/2" (140 mm) deep right bowl (K-3174)
- 5-1/2" (140 mm) deep left bowl and 9-1/2" (241 mm) deep right bowl (K-3174-L)

Codes/Standards Applicable

Specified model meets or exceeds the following:

- ASME A112.19.3/CSA B45.4

UNDER-MOUNT KITCHEN SINK K-3174 ALSO K-3174-L



Colors/Finishes

- NA: None applicable

Accessories

- CP: Polished Chrome
- 0: White
- Other: Refer to Price Book for additional colors/finishes
- NA: None applicable

Specified Model

Model	Description	Colors/Finishes
K-3174	Under-mount kitchen sink	<input type="checkbox"/> NA
K-3174-L	Under-mount kitchen sink	<input type="checkbox"/> NA

Optional Accessories					
K-3277	Wire basket (for large bowl)	<input type="checkbox"/> 0			<input type="checkbox"/> Other_____
K-3294	Hardwood cutting board (for large bowl)		<input type="checkbox"/> NA		
K-8801	Duostrainer® sink strainer			<input type="checkbox"/> CP	<input type="checkbox"/> Other_____

Product Specification

The under-mount kitchen sink shall be made of 18-gauge stainless steel. Sink shall be 29-1/4" (743 mm) in length and 15-3/4" (400 mm) in width. Sink shall be double (high/low) compartment with squared bowls. Kohler Model K-3174 sink shall have 9-1/2" (241 mm) deep left bowl and 5-1/2" (140 mm) deep right bowl. Kohler Model K-3174-L sink shall have 5-1/2" (140 mm) deep left bowl and 9-1/2" (241 mm) deep right bowl. Sink shall include installation hardware. Sink shall be Kohler Model K-3174-NA or K-3174-L-NA.

UNDERTONE®

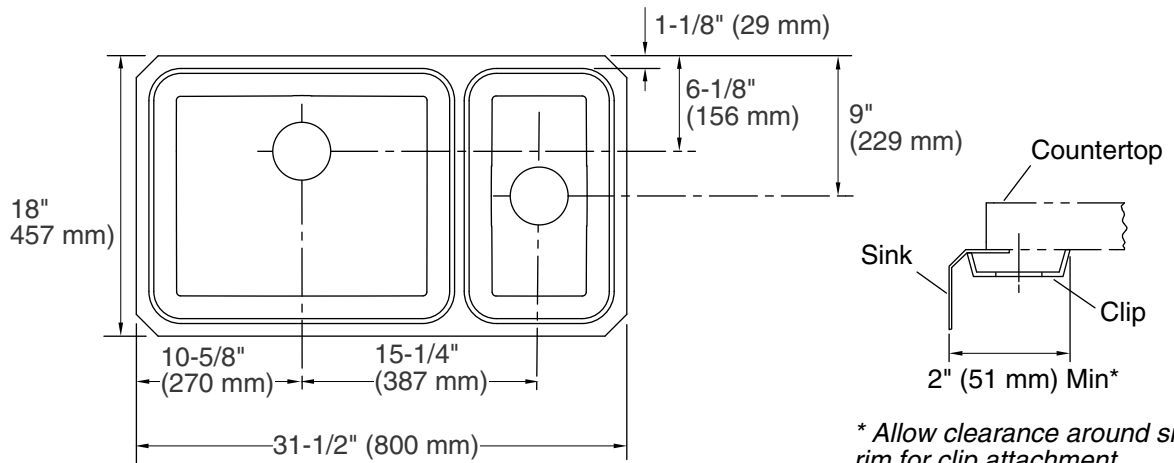
Technical Information

Dimensions shown for K-3174; sink dimensions are opposite for K-3174-L.		
Fixture:*	Bowl area	Water depth
Sink, left	19" (483 mm) x 16" (406 mm)	9-1/2" (241 mm)
Sink, right	9" (229 mm) x 16" (406 mm)	5-1/2" (140 mm)
Drain Holes	Ø 3-5/8" (92 mm)	
* Approximate measurements for comparison only.		

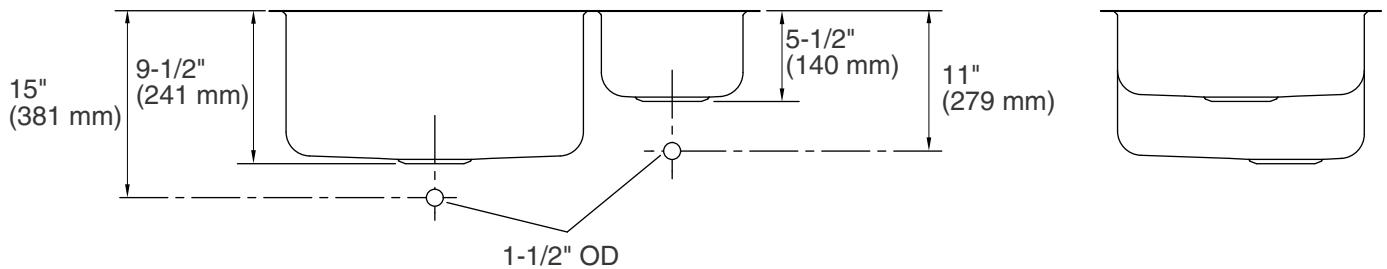
Included components:	
Hardware kit (4 required)	91915
Cut-out template	1040556-7

Installation Notes

Install this product according to the installation guide.



* Allow clearance around sink rim for clip attachment.



Product Diagram