

Features

- *Stainless steel*
- *Double quarter-turn ceramic disc valves ensure reliable on/off operation*
- *Wall-mount installation*
- *Anti-rotational flange simplifies installation*
- *24" (610 mm) extended swing spout reach*
- *Fixed position wall flange*
- *4 gallons (15.1 liters) per minute minimum flow rate at 45 psi (3.1 bars)*

Codes/Standards Applicable

Specified model meets or exceeds the following at date of manufacture:

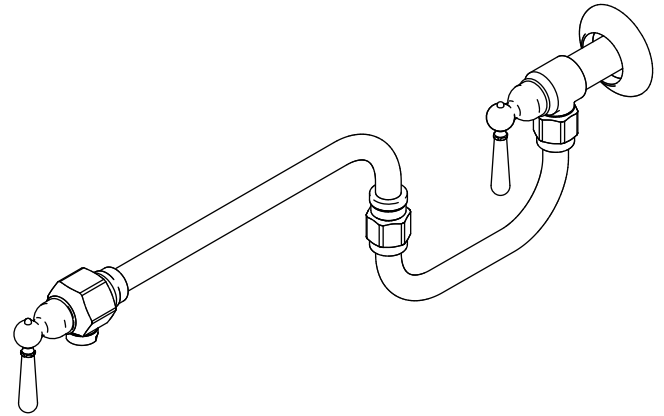
- *ADA*
- *ASME A112.18.1/CSA B125.1*
- *ICC/ANSI A117.1*
- *NSF 61*
- *All applicable US Federal and State material regulations*

Specified Model

Model	Description	Color/Finish
K-7322-4	Wall-mount pot filler faucet	<input type="checkbox"/> BS <input type="checkbox"/> S

**WALL-MOUNT POT FILLER FAUCET
K-7322**

ADA



Colors/Finishes

- *BS: Brushed Stainless Steel*
- *S: Polished Stainless Steel*

Product Specification

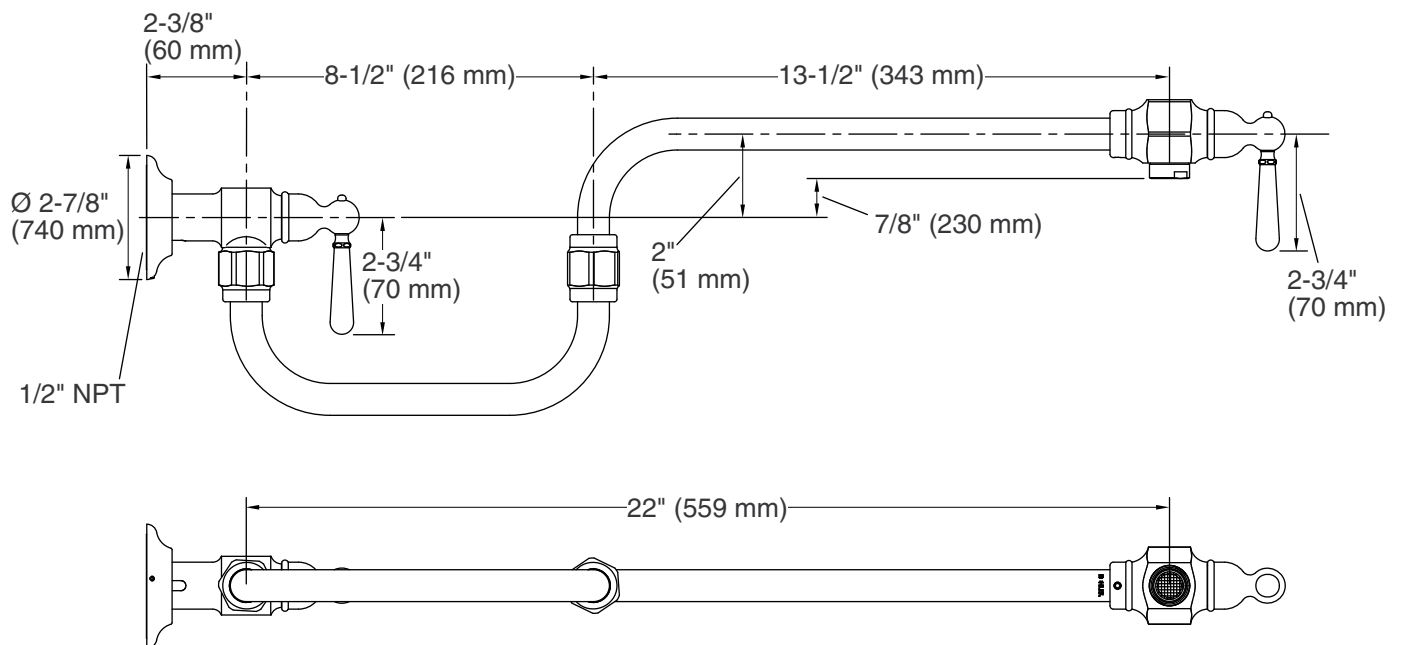
The wall-mount pot filler faucet shall be made of stainless steel construction. Product shall have a minimum flow rate of 4.0 gallons (15.1 liters) per minute at 45 psi (3.1 bar). Product shall feature double quarter-turn ceramic disc valves which ensure reliable on/off operation. Product shall be for wall-mount installation. Product shall feature an anti-rotational flange which simplifies installation. Product shall feature a 24" (610 mm) extended swing spout reach, and a fixed position wall flange. Faucet shall be Kohler Model K-7322-4-_____.

HIRISE™

Installation Notes

Install this product according to the installation guide.

ADA compliant when installed to the specific requirements of these regulations.



Product Diagram