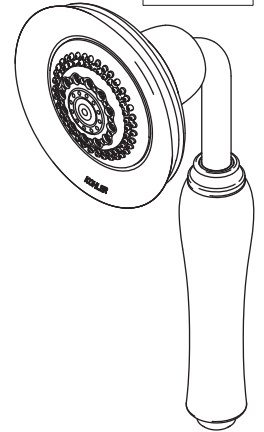


Features

- 2.5 gpm (9.5 lpm)
- Wide-coverage, therapeutic massage, soft aerated, and reduced flow spray options
- Complements the Bancroft Suite

**HANDSHOWER
K-10597**

ADA



Codes/Standards Applicable

Specified model meets or exceeds the following:

- ASME A112.18.1/CSA B125.1
- IAPMO/UPC
- ICC/ANSI A117.1


Colors/Finishes

- CP: Polished Chrome
- Other: Refer to Price Book for additional colors/finishes

Accessories:

- CP: Polished Chrome

Specified Model

Model	Description	Colors/Finishes	
K-10597	Handshower	<input type="checkbox"/> CP	<input type="checkbox"/> Other ____
Required Accessory			
K-9514	60" (1524 mm) metal shower hose	<input type="checkbox"/> CP	

Product Specification

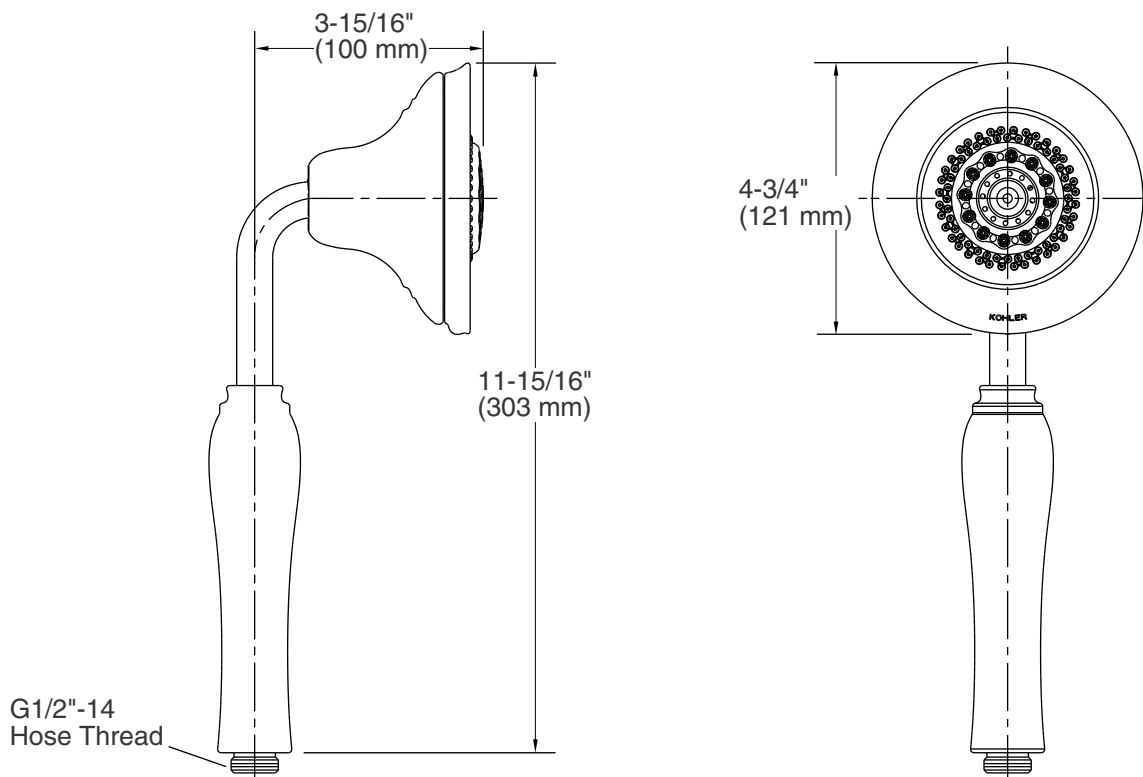
Handshower shall feature wide-coverage, therapeutic massage, soft aerated, and reduced flow spray options. Handshower shall complement the Bancroft faucet line. Handshower shall have a 2.5 gallon (9.5 L) per minute flow rate. Product shall be Kohler Model K-10597-_____.

BANCROFT™

Installation Notes

Install this product according to the installation guide.

Plumbing codes require an atmospheric vacuum breaker (such as Kohler Model K-9660) be installed in-line with handshowers. Please consult with local plumbing officials.



Product Diagram