

PEDESTAL BATHROOM SINK K-2344

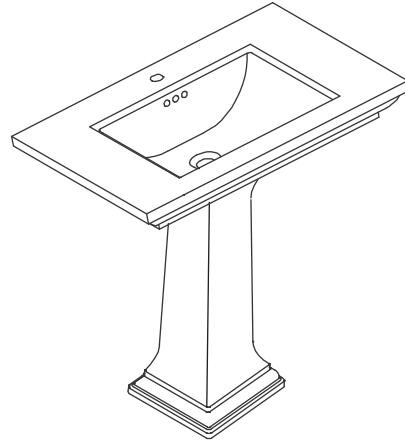
Features

- Pedestal bathroom sink
- Stately design
- Fireclay
- With overflow
- 8" (203 mm) centers (-8), 4" (102 mm) centers (-4), or single-hole (-1)
- 24-1/2" (622 mm) x 20-1/2" (521 mm) x 34-3/4" (883 mm)

Codes/Standards Applicable

Specified model meets or exceeds the following:

- ASME A112.19.2/CSA B45.1



Colors/Finishes

- 0: White
- Other: Refer to Price Book for additional colors/finishes

Accessories

- CP: Polished Chrome
- Other: Refer to Price Book for additional colors/finishes

Specified Model

Model	Description	Colors/Finishes	
K-2344-8	8" (203 mm) centers pedestal bathroom sink	<input type="checkbox"/> 0	<input type="checkbox"/> Other_____
K-2344-4	4" (102 mm) centers pedestal bathroom sink	<input type="checkbox"/> 0	<input type="checkbox"/> Other_____
K-2344-1	Single-hole pedestal bathroom sink	<input type="checkbox"/> 0	<input type="checkbox"/> Other_____
Recommended Accessories			
K-7605-P	Bathroom sink supplies 3/8" (pair)	<input type="checkbox"/> CP	<input type="checkbox"/> Other_____

Product Specification

The pedestal bathroom sink with stately design and overflow shall be 24-1/2" (622 mm) in length, 20-1/2" (521 mm) in width, and 34-3/4" (883 mm) in height. Pedestal bathroom sink shall be made of fireclay. Pedestal bathroom sink shall have 8" (203 mm) centers, 4" (102 mm) centers, or single-hole drilling. Pedestal bathroom sink shall be Kohler Model K-2344-_____-_____.

MEMOIRS® STATELY

Technical Information

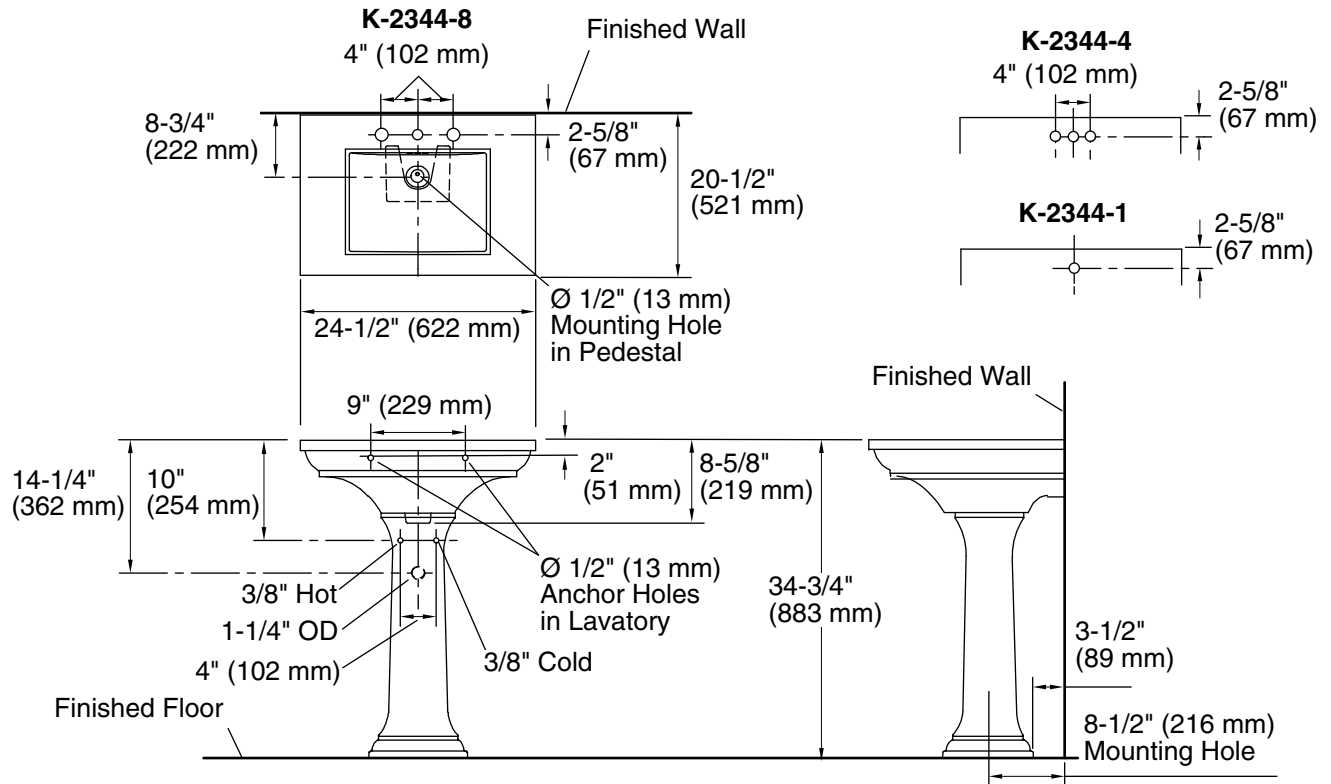
Fixture*:	Basin area	water depth
Bathroom sink	15-1/2" (394 mm) x 11-5/8" (295 mm)	5" (127 mm)
Drain hole	Ø 1-3/4" (44 mm)	
* Approximate measurements for comparison only.		

Holes	K-2344-8	K-2344-4	K-2344-1
Spout	1-3/8" (35 mm)	Ø 1-1/4" (32 mm)	Ø 1-3/8" (35 mm)
Faucet	Ø 1-3/8" (35 mm)	Ø 1-1/4" (32 mm)	

Included components:	
Bathroom sink basin, 8" (203 mm) centers	K-2345-8
Bathroom sink basin, 4" (102 mm) centers	K-2345-4
Bathroom sink basin, single-hole	K-2345-1
Pedestal	K-2267
Rubber pads	63069
Accessory pack	52204

Installation Notes

Install this product according to the installation guide.



Product Diagram