

CAST IRON TOP AND BASIN BATHROOM SINK **K-3049**

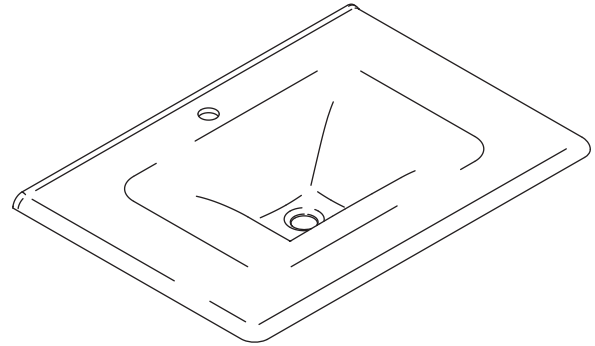
Features

- KOHLER cast iron
- Integrated top and bowl
- Without overflow
- 8" (203 mm) centers (-8), 4" (102 mm) centers (-4), or single-hole (-1)
- 31-5/8" (803 mm) x 22-1/4" (565 mm)

Codes/Standards Applicable

Specified model meets or exceeds the following:

- ASME A112.19.1/CSA B45.2



Colors/Finishes

- 0: White
- Other: Refer to Price Book for additional colors/finishes

Specified Model

Model	Description	Colors/Finishes	
K-3049-1	Cast iron top and basin bathroom sink with single-hole	<input type="checkbox"/> 0	<input type="checkbox"/> Other_____
K-3049-4	Cast iron top and basin bathroom sink with 4" (102 mm) centers	<input type="checkbox"/> 0	<input type="checkbox"/> Other_____
K-3049-8	Cast iron top and basin bathroom sink with 8" (203 mm) centers	<input type="checkbox"/> 0	<input type="checkbox"/> Other_____

Recommended Vanity			
K-2454	Vanity, 30" (762 mm) length	<input type="checkbox"/> F9	
K-6890	Cattails™ cast iron console table		<input type="checkbox"/> NA
K-6898	Lotus Pool™ cast iron console table		<input type="checkbox"/> NA

Recommended Accessories			
K-9018	P-Trap	<input type="checkbox"/> CP	<input type="checkbox"/> Other_____

Product Specification

The cast iron bathroom sink shall be 31-5/8" (803 mm) in length and 22-1/4" (565 mm) in width. Bathroom sink shall have integrated top and basin. Bathroom sink shall be without overflow. Bathroom sink shall be available with 8" (203 mm) centers (-8), 4" (102 mm) centers (-4), or single-hole (-1). Bathroom sink shall be Kohler Model K-3049-____-____.

IRON/IMPRESSIONS®

Technical Information

Fixture*:	
Basin area	20-7/8" (530 mm) x 14-1/2" (368 mm)
Water depth	4" (102 mm)
Drain hole	Ø 1-3/4" (44 mm)
* Approximate measurements for comparison only.	

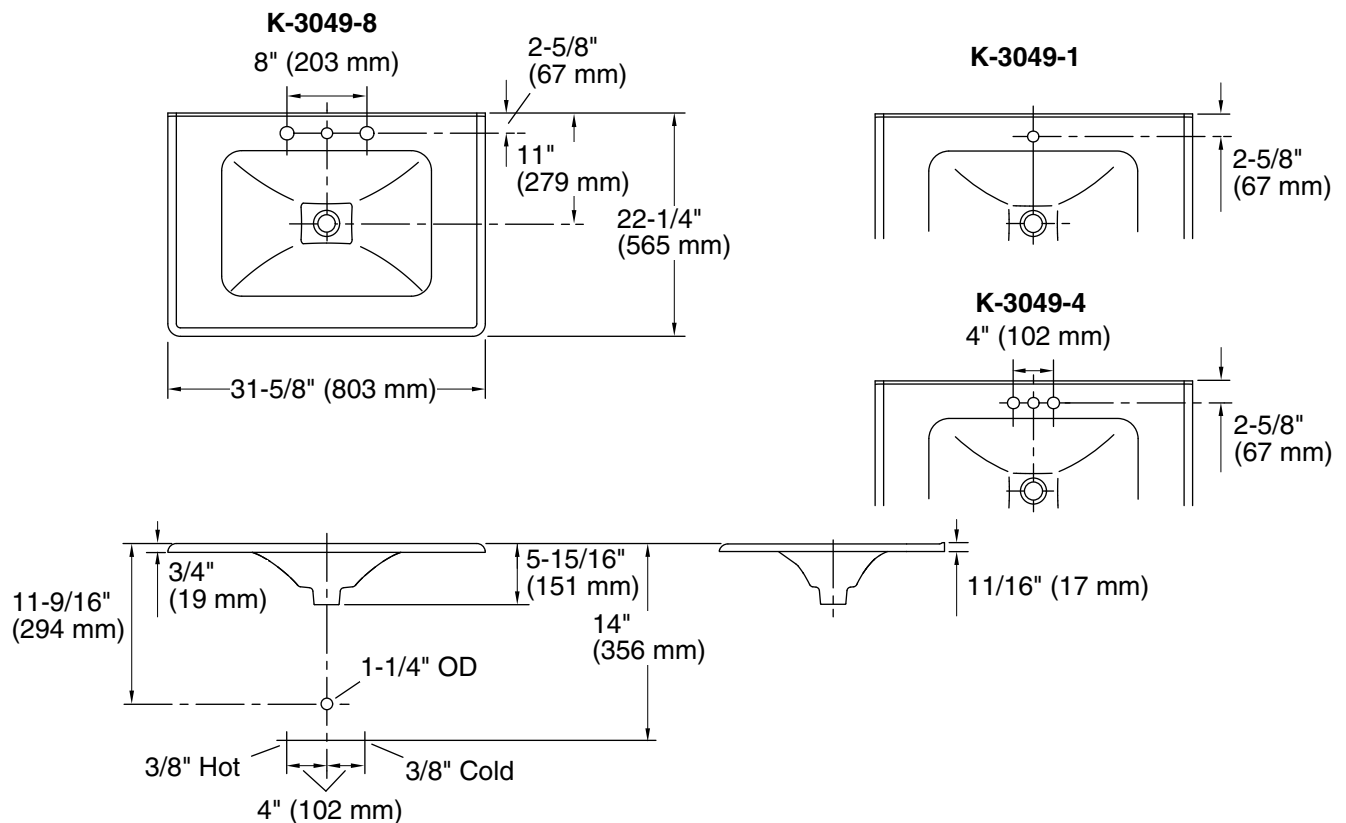
Holes	K-3049-1	K-3049-4	K-3049-8
Spout	1-3/8" (35 mm)	1-3/8" (35 mm)	1-3/8" (35 mm)
Faucet		1-3/8" (35 mm)	1-3/8" (35 mm)

Installation Notes

NOTE: When selecting a faucet for this bathroom sink, ensure the faucet has a spout reach of 4-1/2" (114 mm) to 5" (127 mm) **and** has a spout height of 3" (76 mm) to 6" (152 mm).

Install this product according to the installation guide.

Product does not have an overflow.



Product Diagram