

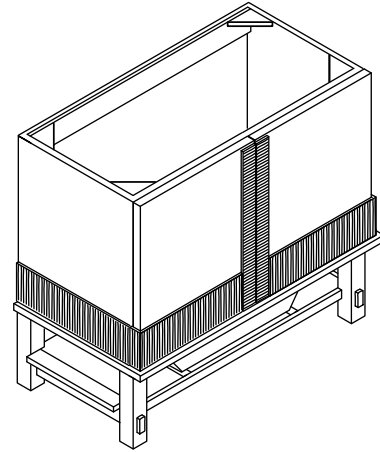
Features

- Mahogany and bamboo solids and veneers
- Catalyzed polyurethane finish
- Slow-close drawer(s) and slow-close adjustable door(s)
- Available in various widths
- 21-3/8" (543 mm) depth, and 33-1/2" (851 mm) height

Codes/Standards Applicable

Specified model meets or exceeds the following:

- None applicable



Colors/Finishes

- F10: Burnet

Specified Model

Model	Description	Colors/Finishes
K-2459	Vanity, 36" (914 mm) width	<input type="checkbox"/> F10
K-2469	Vanity, 30" (762 mm) width	<input type="checkbox"/> F10
K-2472	Vanity, 42" (1067 mm) width	<input type="checkbox"/> F10

Recommended Basin*

K-3049	Iron/Impressions™ 31" (787 mm) cast iron integrated top and basin	<input type="checkbox"/> 0	<input type="checkbox"/> Other
K-3051	Iron/Impressions™ 37" (940 mm) cast iron integrated top and basin	<input type="checkbox"/> 0	<input type="checkbox"/> Other
K-3052	Iron/Impressions™ 43" (1092 mm) cast iron integrated top and basin	<input type="checkbox"/> 0	<input type="checkbox"/> Other

*Specify 4" (102 mm) centers (-4), 8" (203 mm) (-8) centers, or single-hole (-1) faucet when ordering.

Recommended Accessory

K-2460	Mirror, 24" (610 mm) x 36" (914 mm)	<input type="checkbox"/> F10
--------	-------------------------------------	------------------------------

Product Specification

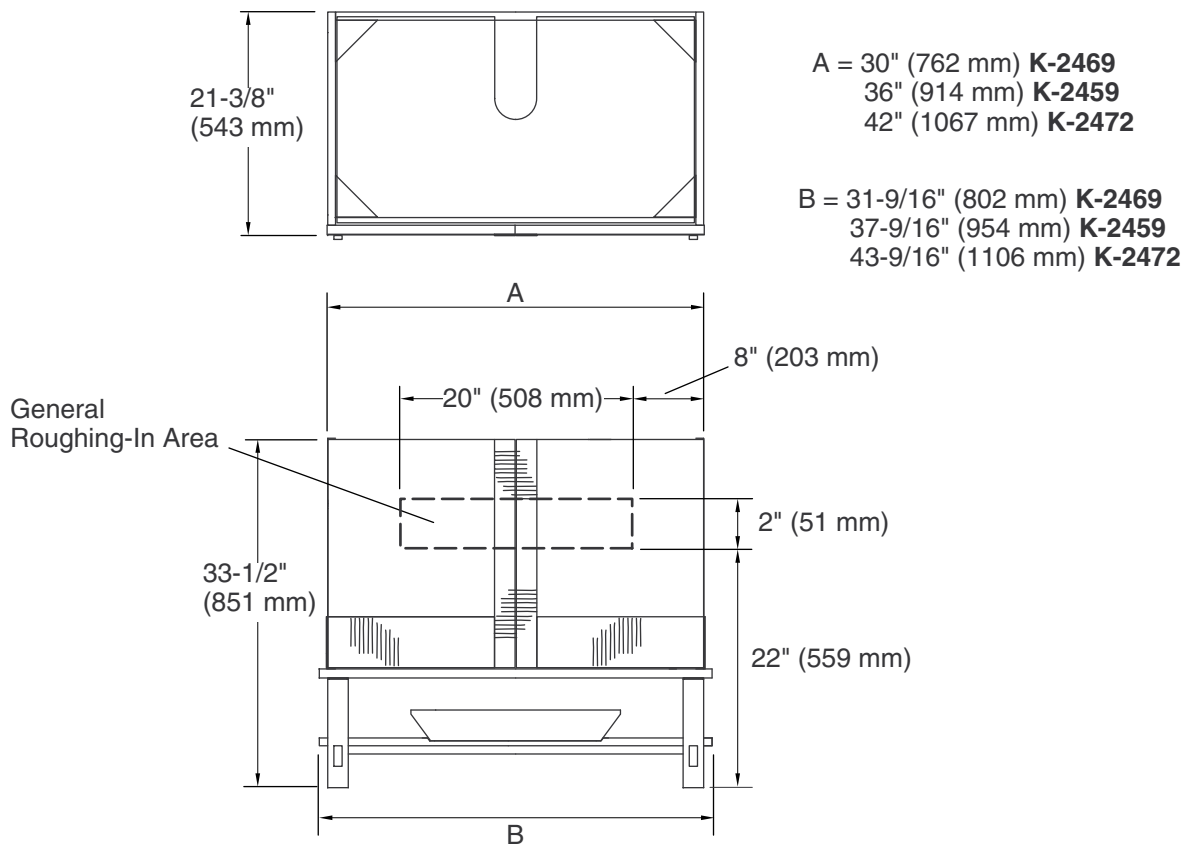
The vanity shall be 21-3/8" (543 mm) in depth, and 33-1/2" (851 mm) in height. Vanity shall be available in various widths. Vanity shall be made of mahogany and bamboo solids and veneers. Vanity shall have catalyzed polyurethane finish. Vanity shall include slow-close adjustable drawer(s) and slow-close door(s). Vanity shall be Kohler Model K-____-____.

MERSING™

Installation Notes

Install this product according to the installation guide.

Decorative cabinet hardware is supplied. Refer to the Kohler bath accessories line for additional decorative cabinet hardware to complement your vanity.



Product Diagram