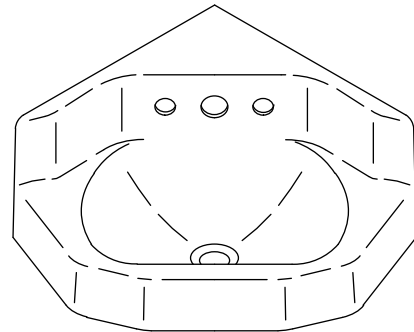


### Features

- KOHLER cast iron
- Wall-mount
- With overflow
- Shelf-back
- Corner bathroom sink
- Factory-installed K-8040-2A Triton® faucet with pop-up drain and stopper drain, aerator
- Less K-8040-2A Triton faucet (-EH)
- 16" (406 mm) x 16" (406 mm)

### WALL-MOUNT CORNER BATHROOM SINK K-2766



### Codes/Standards Applicable

Specified model meets or exceeds the following:

- ASME A112.19.1/CSA B45.2

### Colors/Finishes

- 0: White
- Other: Refer to Price Book for additional colors/finishes

### Specified Model

Model	Description	Colors/Finishes	
K-2766	Wall-mount corner bathroom sink with faucet	<input type="checkbox"/> 0	<input type="checkbox"/> Other_____
K-2766-EH	Wall-mount corner bathroom sink less faucet	<input type="checkbox"/> 0	<input type="checkbox"/> Other_____

### Product Specification

The shelf-back, wall-mount, corner bathroom sink shall be 16" (406 mm) in length and 16" (406 mm) in width. Bathroom sink shall be made of cast iron. Bathroom sink shall have factory-installed K-8040-2A Triton bathroom sink faucet with pop-up and stopper drain, aerator, or be less faucet (-EH). Bathroom sink shall have overflow. Bathroom sink shall be Kohler Model K-2766-\_\_\_\_\_-\_\_\_\_\_.

# MARSTON™

## Technical Information

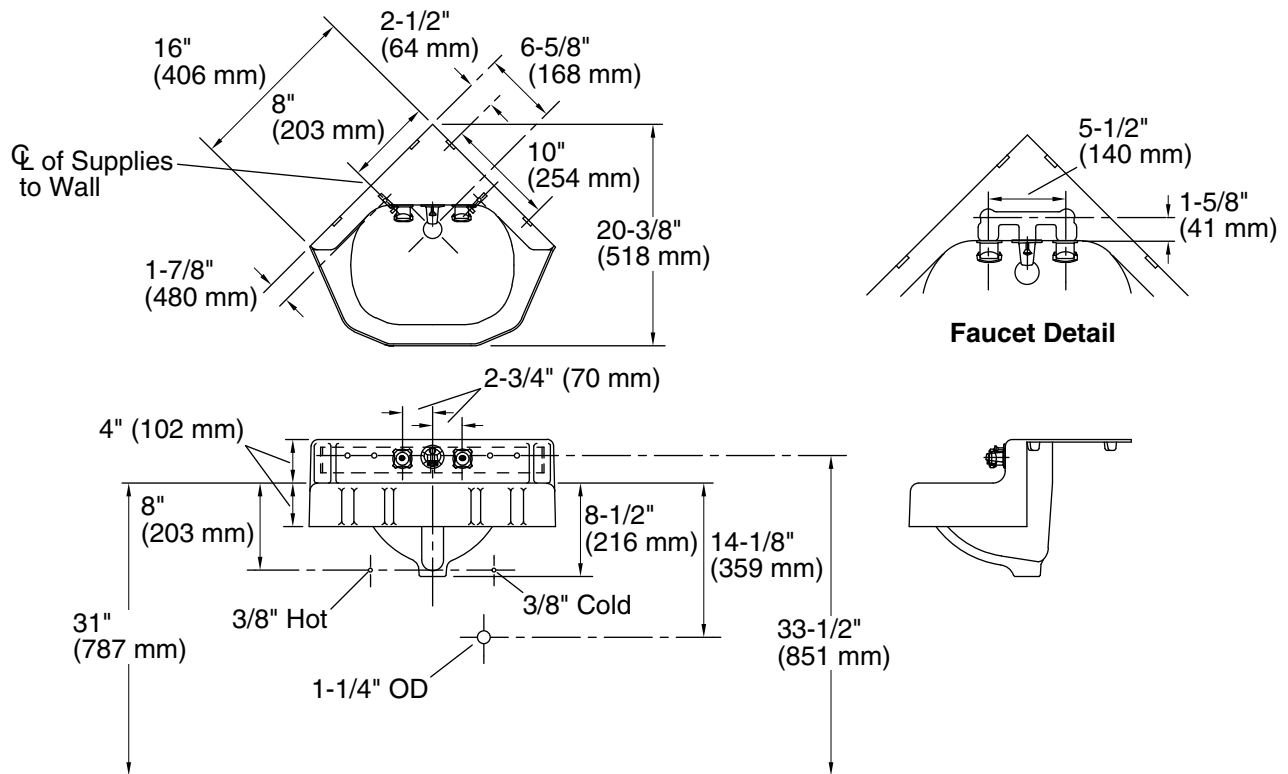
Fixture*:	
Basin area	15" (381 mm) x 11" (280 mm)
Water depth	5" (127 mm)
Drain hole	Ø 1-11/16" (43 mm)
* Approximate measurements for comparison only.	

Hole	
Spout	Ø 1-1/2" (38 mm)
Faucet	Ø 1-3/16" (30 mm)

Included components:	
Triton® faucet	K-8040-2A
Hanger	64503
Overflow ferrule (1)	84896

## Installation Notes

Install this product according to the installation guide.



## Product Diagram