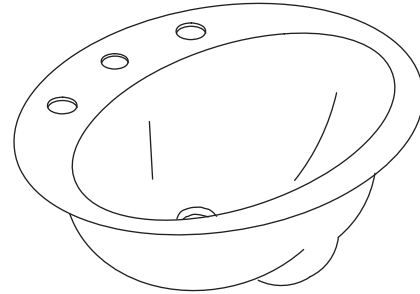


### COUNTERTOP BATHROOM SINK K-2905

ADA

#### Features

- KOHLER cast iron
- With overflow
- Optional soap dispenser hole on left (-L) or right (-R)
- 8" (203 mm) centers (-8), 4" (102 mm) centers (-4), or single-hole (-1)
- ADA compliant when installed in a 21" (533 mm) minimum depth countertop
- 19-1/4" (489 mm) x 16-1/4" (413 mm)



#### Codes/Standards Applicable

Specified model meets or exceeds the following:

- ADA
- ICC/ANSI A117.1
- ASME A112.19.1/CSA B45.2

#### Colors/Finishes

- 0: White
- Other: Refer to Price Book for additional colors/finishes

#### Accessories

- CP: Polished Chrome

#### Specified Model

Model	Description	Colors/Finishes	
K-2905-1	Single hole bathroom sink less soap dispenser hole	<input type="checkbox"/> 0	<input type="checkbox"/> Other_____
K-2905-1L	Single hole bathroom sink with soap dispenser hole on left	<input type="checkbox"/> 0	<input type="checkbox"/> Other_____
K-2905-1R	Single hole bathroom sink with soap dispenser hole on right	<input type="checkbox"/> 0	<input type="checkbox"/> Other_____
K-2905-4	4" (102 mm) centers bathroom sink less soap dispenser hole	<input type="checkbox"/> 0	<input type="checkbox"/> Other_____
K-2905-4L	4" (102 mm) centers bathroom sink with soap dispenser hole on left	<input type="checkbox"/> 0	<input type="checkbox"/> Other_____
K-2905-4R	4" (102 mm) centers bathroom sink with soap dispenser hole on right	<input type="checkbox"/> 0	<input type="checkbox"/> Other_____
K-2905-8	8" (203 mm) centers bathroom sink less soap dispenser hole	<input type="checkbox"/> 0	<input type="checkbox"/> Other_____
K-2905-8L	8" (203 mm) centers bathroom sink with soap dispenser hole on left	<input type="checkbox"/> 0	<input type="checkbox"/> Other_____
K-2905-8R	8" (203 mm) centers bathroom sink with soap dispenser hole on right	<input type="checkbox"/> 0	<input type="checkbox"/> Other_____

Recommended Accessories			
K-8998	P-trap	<input type="checkbox"/> CP	<input type="checkbox"/> Other_____

#### Product Specification

The countertop bathroom sink shall be 19-1/4" (489 mm) in length, and 16-1/4" (413 mm) in width. Sink shall be made of cast iron. Sink shall have 8" (203 mm) centers (K-2905-8), 4" (102 mm) centers (K-2905-4), or single-hole (K-2905-1) drilling. Sink shall have overflow. Sink shall be ADA compliant when installed in a 21" (533 mm) minimum depth countertop. Sink shall have optional soap dispenser hole on left (-L) or right (-R). Sink shall be Kohler Model K-2905-\_\_\_\_\_-\_\_\_\_\_.

# FARMINGTON™

## Technical Information

Fixture:*	
Basin Area	16" (406 mm) x 11" (279 mm)
Water Depth	5" (127 mm)
Drain Hole	Ø 1-11/16" (43 mm)
* Approximate measurements for comparison only.	

Holes	K-2905-1	K-2905-4	K-2905-8
Spout	Ø 1-3/8" (35 mm)	Ø 1-3/8" (35 mm)	Ø 1-3/8" (35 mm)
Faucet		Ø 1-3/8" (35 mm)	Ø 1-3/8" (35 mm)
Soap Dispenser	Ø 1-1/4" (32 mm)		

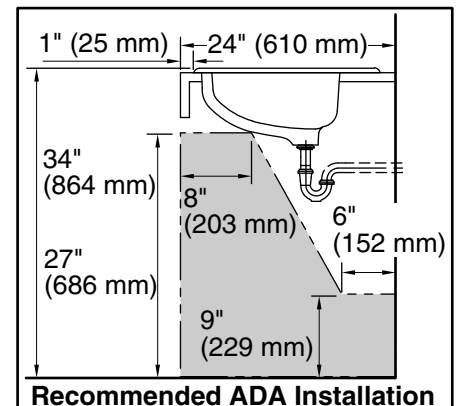
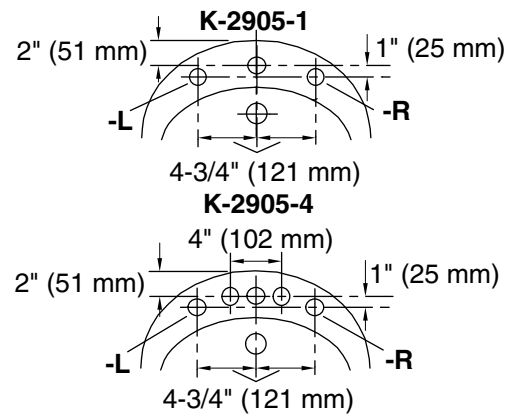
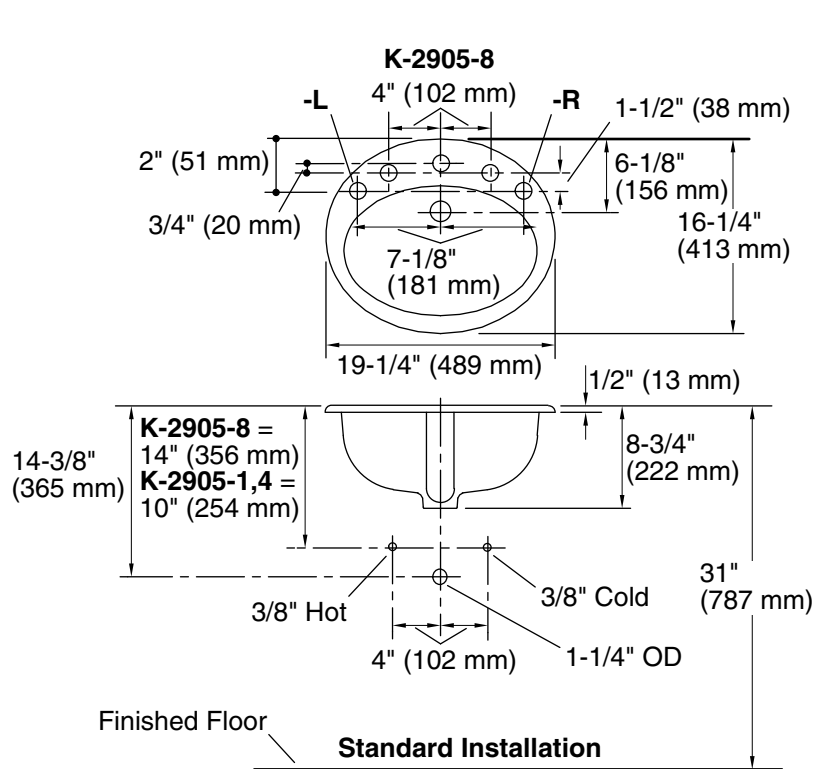
Included Components:	
Overflow ferrule	84896
Cut-out template	1002973-7

## Installation Notes

Install this product according to the installation guide.

Will comply with **ADA** when installed per Section 606 Lavatories of the Act.

**NOTICE:** Countertop manufacturer or cutter **must** use the cutout template provided with the product, or a current one provided by Kohler Co. (call 1-800-4-KOHLER). Kohler Co. is not responsible for cutout errors when the incorrect cutout template is used.



## Product Diagram