

### Features

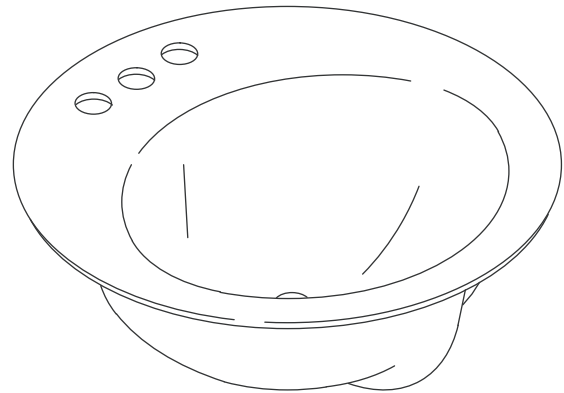
- KOHLER cast iron
- With overflow
- 8" (203 mm) centers (-8), 4" (102 mm) centers (-4), or single-hole (-1)
- 19" (483 mm) diameter

### COUNTERTOP BATHROOM SINK K-2917

ADA

CSA B651

OBC



### Codes/Standards Applicable

Specified model meets or exceeds the following:

- ADA
- CSA B651
- OBC
- ASME A112.19.1/CSA B45.2
- State of Massachusetts
- ICC/ANSI A117.1

### Colors/Finishes

- 0: White
- Other: Refer to Price Book for additional colors/finishes

### Accessories

- CP: Polished Chrome

### Specified Model

Model	Description	Colors/Finishes	
K-2917-8	8" (203 mm) centers bathroom sink	<input type="checkbox"/> 0	<input type="checkbox"/> Other _____
K-2917-4	4" (102 mm) centers bathroom sink	<input type="checkbox"/> 0	<input type="checkbox"/> Other _____
K-2917-1	Single-hole bathroom sink	<input type="checkbox"/> 0	<input type="checkbox"/> Other _____
Recommended Accessories			
K-8998	P-Trap		<input type="checkbox"/> CP

### Product Specification

The countertop bathroom sink shall be made of cast iron. Sink shall be 19" (483 mm) in diameter. Sink shall have 8" (203 mm) centers (K-2917-8), 4" (102 mm) centers (K-2917-4), or single-hole (K-2917-1) drilling. Sink shall have overflow. Bathroom sink shall be Kohler Model K-2917-\_\_\_\_\_-\_\_\_\_\_.

# RADIANT®

## Technical Information

Fixture:*	
Basin area	14" (356 mm) x 12" (305 mm)
Water depth	5" (127 mm)
Drain hole	Ø 1-11/16" (43 mm)
* Approximate measurements for comparison only.	

Holes	K-2917-8	K-2917-4	K-2917-1
Spout	Ø 1-3/8" (35 mm)	Ø 1-3/8" (35 mm)	Ø 1-3/8" (35 mm)
Faucet	Ø 1-3/8" (35 mm)	Ø 1-3/8" (35 mm)	

Included components:	
Overflow ferrule	84896
Cut-out template	101082-7

## Installation Notes

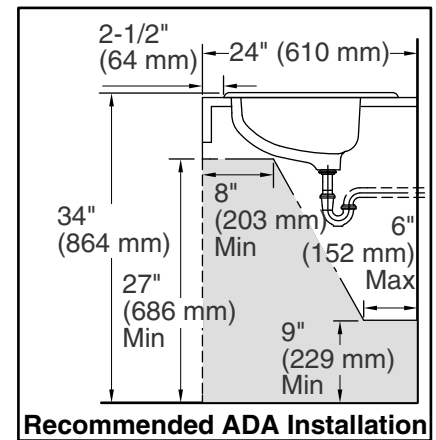
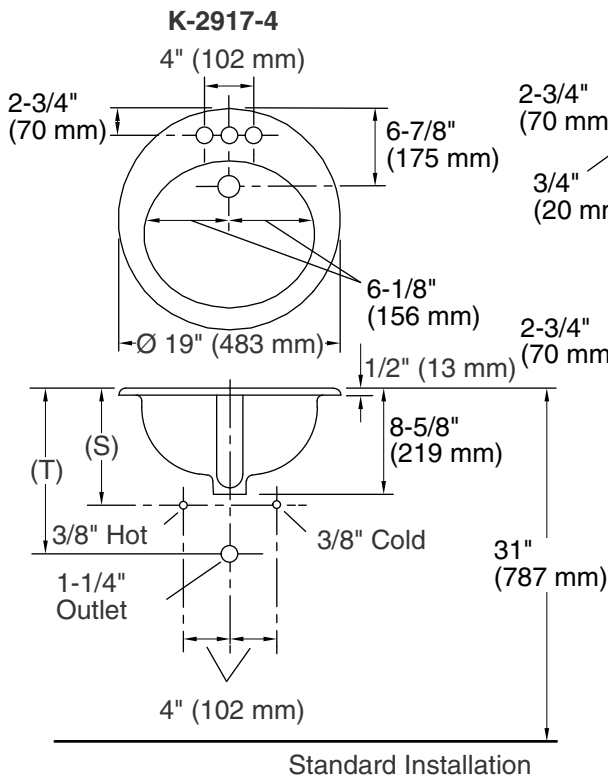
Install this product according to the installation guide.

**NOTICE:** Countertop manufacturer or cutter **must** use the cutout template provided with the product, or a current one provided by Kohler Co. (call 1-800-4-KOHLER). Kohler Co. is not responsible for cutout errors when the incorrect cutout template is used.

Will comply with **ADA** when installed per Section 606 Lavatories of the Act.

Will comply with **CSA B651** when installed per Clause 4.3.3 of the standard.

Will comply with **OBC** when installed per Clause 3.8.3.11.



(T) Pop-up drain 14-3/16" (360 mm), grid drain 13-5/16" (338 mm).		
Supply (Based on 12" riser which may require cutting).	K-2917-4 K-2917-1	K-2917-8
(S)	10" (254 mm)	14" (356 mm)

## Product Diagram