

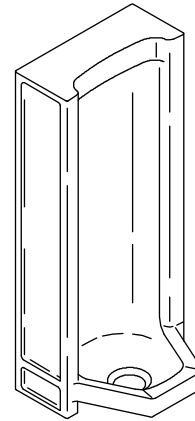
### Features

- Vitreous china
- Washout stall
- 3/4" rear spud
- 0.5 gpf (1.9 lpf) or 1.0 gpf (3.8 lpf)

### Codes/Standards Applicable

Specified model meets or exceeds the following:

- ADA
- ICC/ANSI A117.1
- CSA B651
- ASME A112.19.2/CSA B45.1



### Colors/Finishes

- 0: White
- Other: Refer to Price Book for additional colors/finishes

### Accessories

- 0: White
- CP: Polished Chrome
- NA: None applicable
- Other: Refer to Price Book for additional colors/finishes

### Specified Model

Model	Description	Colors/Finishes	
K-4920-R	Stall urinal with 3/4" rear spud	<input type="checkbox"/> 0	<input type="checkbox"/> Other_____

Recommended Accessories			
K-9172	Strainer with china grate	<input type="checkbox"/> NA	
K-9183	Strainer with stainless steel beehive grate	<input type="checkbox"/> NA	
K-10675	WAVE exposed washout urinal flushometer – 0.5 gpf (1.9 lpf)		<input type="checkbox"/> CP
K-10676	WAVE exposed washout urinal flushometer – 1.0 gpf (3.8 lpf)r		<input type="checkbox"/> CP
K-10958	Touchless DC washout urinal flushometer – 0.5 gpf (1.9 lpf)		<input type="checkbox"/> CP
K-10960	Touchless DC washout urinal flushometer – 1.0 gpf (3.8 lpf)		<input type="checkbox"/> CP
K-13518	Manual washdown urinal flushometer – 1.0 gpf (3.8 lpf)		<input type="checkbox"/> CP
K-13519	Manual washdown urinal flushometer – 0.5 gpf (1.9 lpf)		<input type="checkbox"/> CP

### Product Specification

The washout stall urinal shall be made of vitreous china with a 3/4" rear spud. Urinal shall be 0.5 gpf or 1.0 gpf (3.8 lpf). Urinal shall be Kohler Model K-4920-R-\_\_\_\_\_.

# BRANHAM™

## Optional Accessories

K-4931	Seam cover [for urinal set on 21" (533 mm) centers]	<input type="checkbox"/> 0	<input type="checkbox"/> Other_____
K-4932	Seam cover [for urinal set on 24" (610 mm) centers]	<input type="checkbox"/> 0	<input type="checkbox"/> Other_____
K-13667	Touchless plug-in power supply	<input type="checkbox"/> NA	
K-13671	Touchless 60" (1524 mm) extension	<input type="checkbox"/> NA	
K-13680	Touchless battery-powered urinal flushometer, wall mounted	<input type="checkbox"/> G	

## Technical Information

Fixture*:	
Configuration	Rear spud
Water per flush	0.5 gal (1.9 L) or 1.0 gal (3.8 L)*
Spud inlet size	3/4"
* Designed to flush with 0.5 gal (1.9 L) or 1.0 gal (3.8 L) of water when installed with a water-saving flushometer.	

Included components:

Spud 18774

## Installation Notes

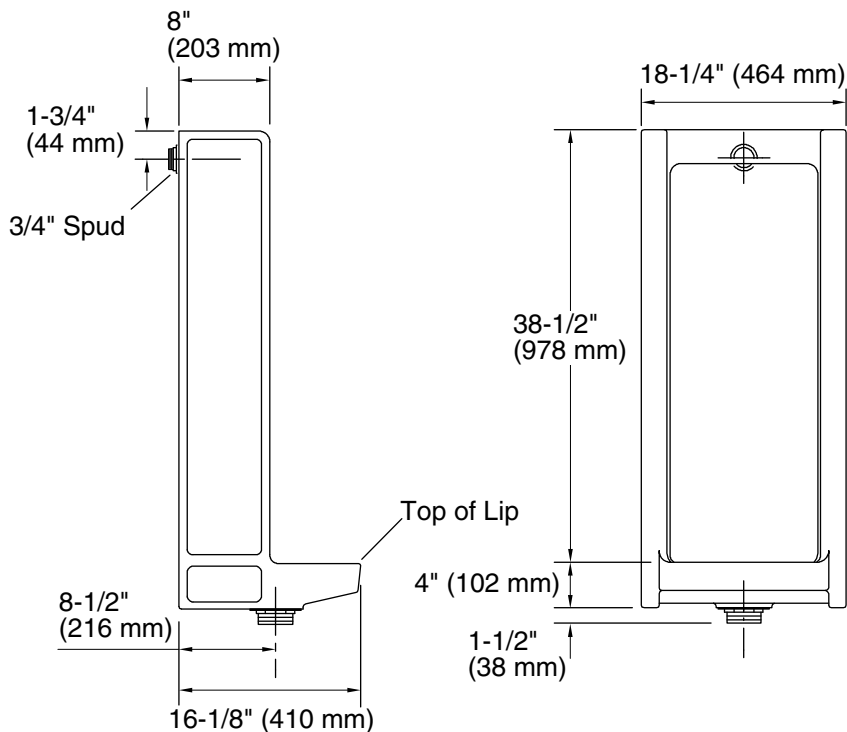
Install this product according to the installation guide.

For proper drainage, install lip of urinal below floor level.

Refer to manufacturer's instructions and local codes for flushometer requirements.

Will comply with **ADA** when installed per Section 605 Urinals of the Act.

Will comply with **CSA B651** when installed per Clause 4.3.8 of the standard.



**Product Diagram**