

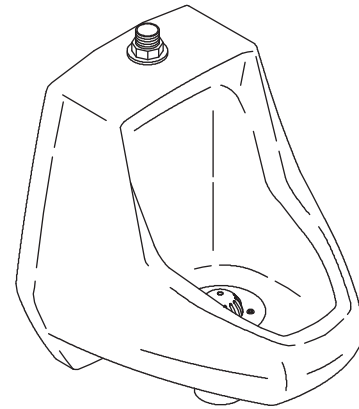
Features

- Vitreous china
- Washout
- 3/4" top spud
- 0.5 gpf (1.9 lpf) or 1.0 gpf (3.8 lpf)

Codes/Standards Applicable

Specified model meets or exceeds the following:

- ADA
- ICC/ANSI A117.1
- ASME A112.19.2/CSA B45.1



Colors/Finishes

- 0: White
- Other: Refer to Price Book for additional colors/finishes

Accessories

- CP: Polished Chrome

Specified Model

Model	Description	Colors/Finishes	
K-5024-T	3/4" top spud urinal	<input type="checkbox"/> 0	<input type="checkbox"/> Other _____

Recommended Accessories		
K-9000	1-1/2" P-Trap	<input type="checkbox"/> CP
K-10675	WAVE exposed washout urinal flushometer – 0.5 gpf (1.9 lpf)	<input type="checkbox"/> CP
K-10676	WAVE exposed washout urinal flushometer – 1.0 gpf (3.8 lpf)r	<input type="checkbox"/> CP
K-10958	Touchless DC washout urinal flushometer – 0.5 gpf (1.9 lpf)	<input type="checkbox"/> CP
K-10960	Touchless DC washout urinal flushometer – 1.0 gpf (3.8 lpf)	<input type="checkbox"/> CP
K-13518	Manual washdown urinal flushometer – 1.0 gpf (3.8 lpf)	<input type="checkbox"/> CP
K-13519	Manual washdown urinal flushometer – 0.5 gpf (1.9 lpf)	<input type="checkbox"/> CP

Product Specification

The washout urinal shall be made of vitreous china with a 3/4" top spud. Urinal shall use 0.5 gpf (1.9 lpf) or 1.0 gpf (3.8 lpf). Urinal shall be Kohler Model K-5024-T-_____.

DARFIELD™

Technical Information

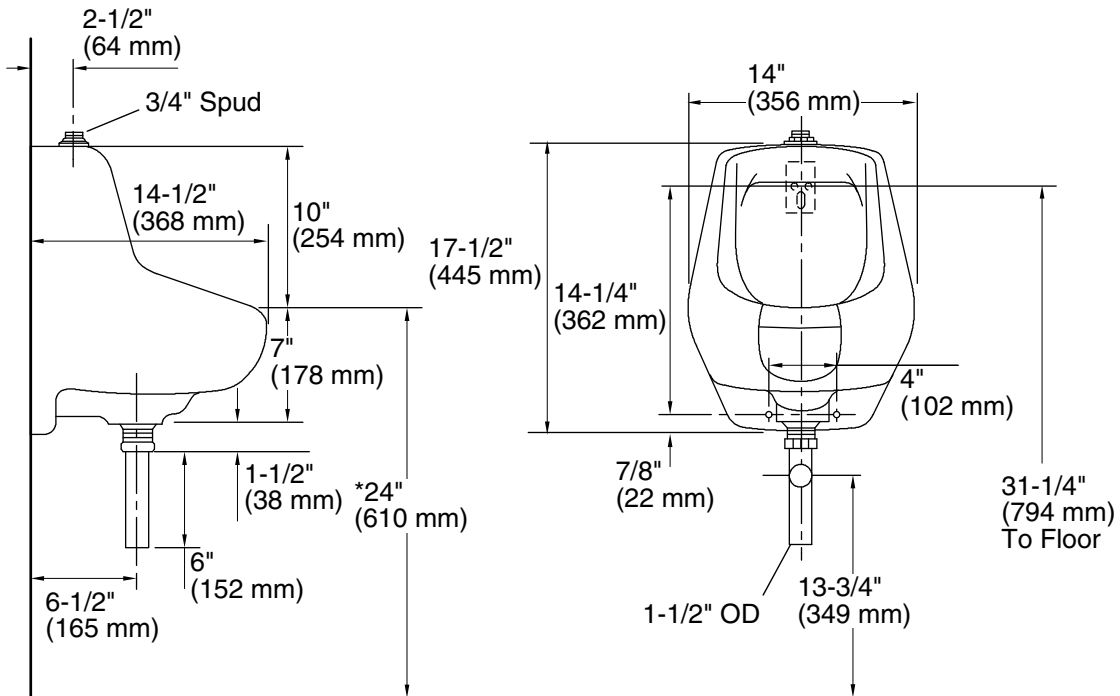
Fixture:	
Configuration	3/4" top spud
Spud inlet size	3/4"
Water per flush	0.5 gal (1.9 L) or 1.0 gal (3.8 L)*
* Designed to use 0.5 gal (1.9 L) or 1.0 gal (3.8 L) of water when installed with a water saving flushometer.	

Included components:	
3/4" inlet spud	18376
1-1/2" outlet spud	18357
Strainer	85061
1-1/2" tailpiece	38530
Hanger (1 required)	64512
Refer to manufacturer's instructions and local codes for flushometer requirements.	

Installation Notes

Install this product according to the installation guide.

*Urinal complies with ADA requirement when rim is mounted no higher than 17" (432 mm) from finished floor



Product Diagram