

DRINKING FOUNTAIN K-5264

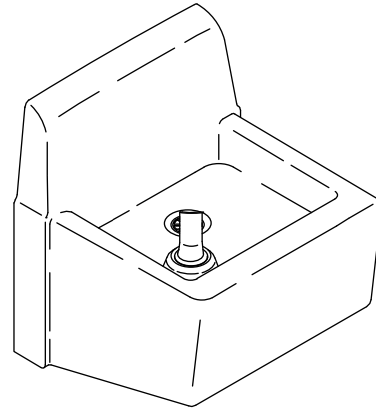
Features

- Vitreous china
- Wall-mount
- 1-1/4" trap with brushed chrome strainer
- Includes supply fitting

Codes/Standards Applicable

Specified model meets or exceeds the following at date of manufacture:

- ASME A112.19.2/CSA B45.1
- ASME A112.18.1/CSA B125.1
- NSF 61
- All applicable US Federal and State material regulations



Colors/Finishes

- 0: White
- Other: Refer to Price Book for additional colors/finishes

Specified Model

Model	Description	Colors/Finishes	
K-5264	Drinking fountain	<input type="checkbox"/> 0	<input type="checkbox"/> Other_____

Product Specification

The wall-mount drinking fountain shall be made of vitreous china. Drinking fountain shall have 1-1/4" trap with brushed chrome strainer and supply fitting. Drinking fountain shall be Kohler Model K-5264-_____.

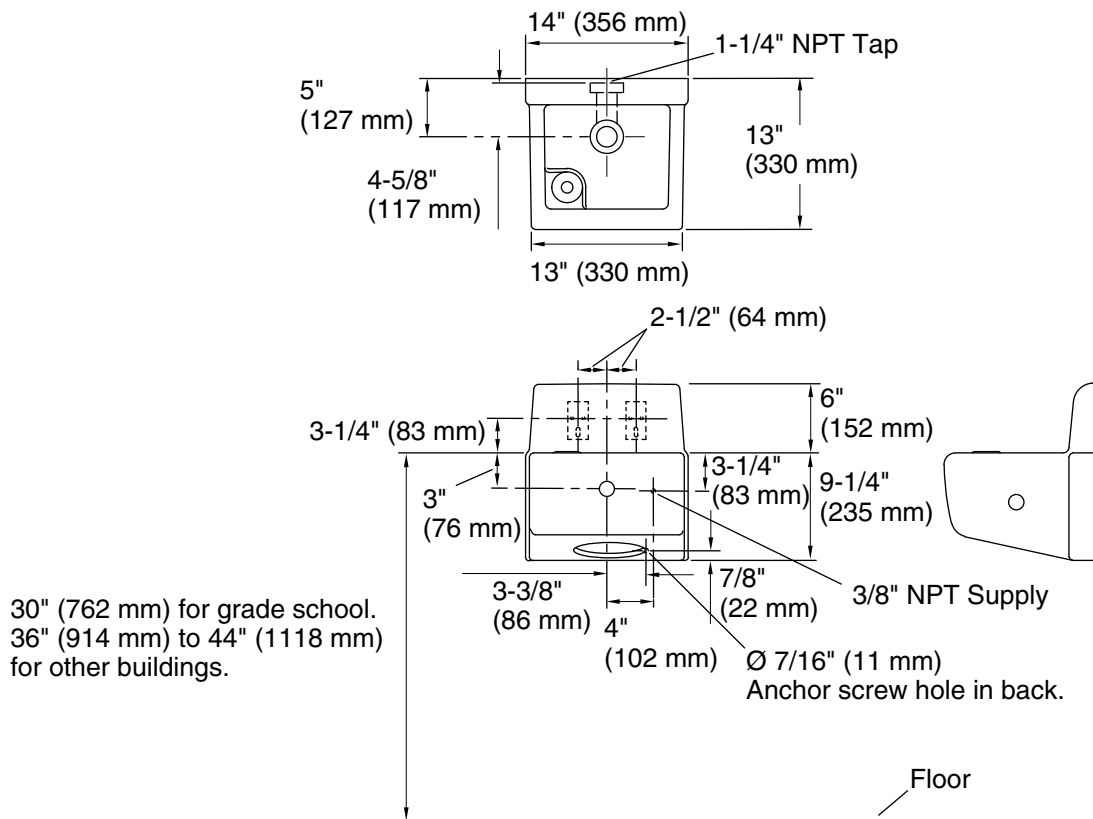
MILLBROOK™

Technical Information

Fixture:	
Configuration	Drinking fountain
Included components:	
Hanger accessory pack	52046
Supply valve sub-assembly	79188
Trap with strainer	35312
Access plate	35693

Installation Notes

Install this product according to the installation guide.



Product Diagram