

Features

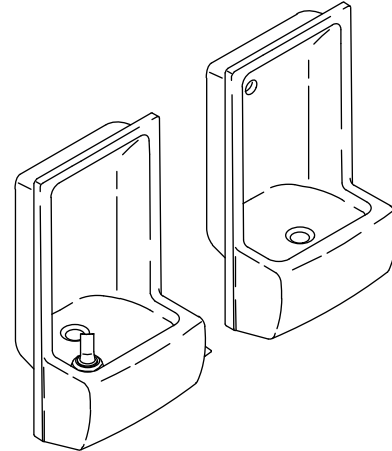
- Vitreous china
- Semi-recessed
- 1-1/4" trap with brushed chrome strainer
- Includes supply fitting

DRINKING FOUNTAIN AND CUSPIDOR **K-5293** ALSO K-5295

Codes/Standards Applicable

Specified model meets or exceeds the following at date of manufacture:

- ASME A112.19.2/CSA B45.1
- ASME A112.18.1/CSA B125.1
- NSF 61
- All applicable US Federal and State material regulations



Colors/Finishes

- 0: White
- Other: Refer to Price Book for additional colors/finishes
- 0: White seat and white hinge

Specified Model

| Model | Description | Colors/Finishes | |
|--------|-------------------|----------------------------|-------------------------------------|
| K-5293 | Drinking fountain | <input type="checkbox"/> 0 | <input type="checkbox"/> Other_____ |
| K-5295 | Cuspidor | <input type="checkbox"/> 0 | <input type="checkbox"/> Other_____ |

Product Specification

The semi-recessed drinking fountain and cuspidor shall be made of vitreous china. Drinking fountain and cuspidor shall have 1-1/4" trap with brushed chrome strainer and supply fitting. Drinking fountain shall be Kohler Model K-5293-_____, and cuspidor shall be Kohler Model K-5295-_____.

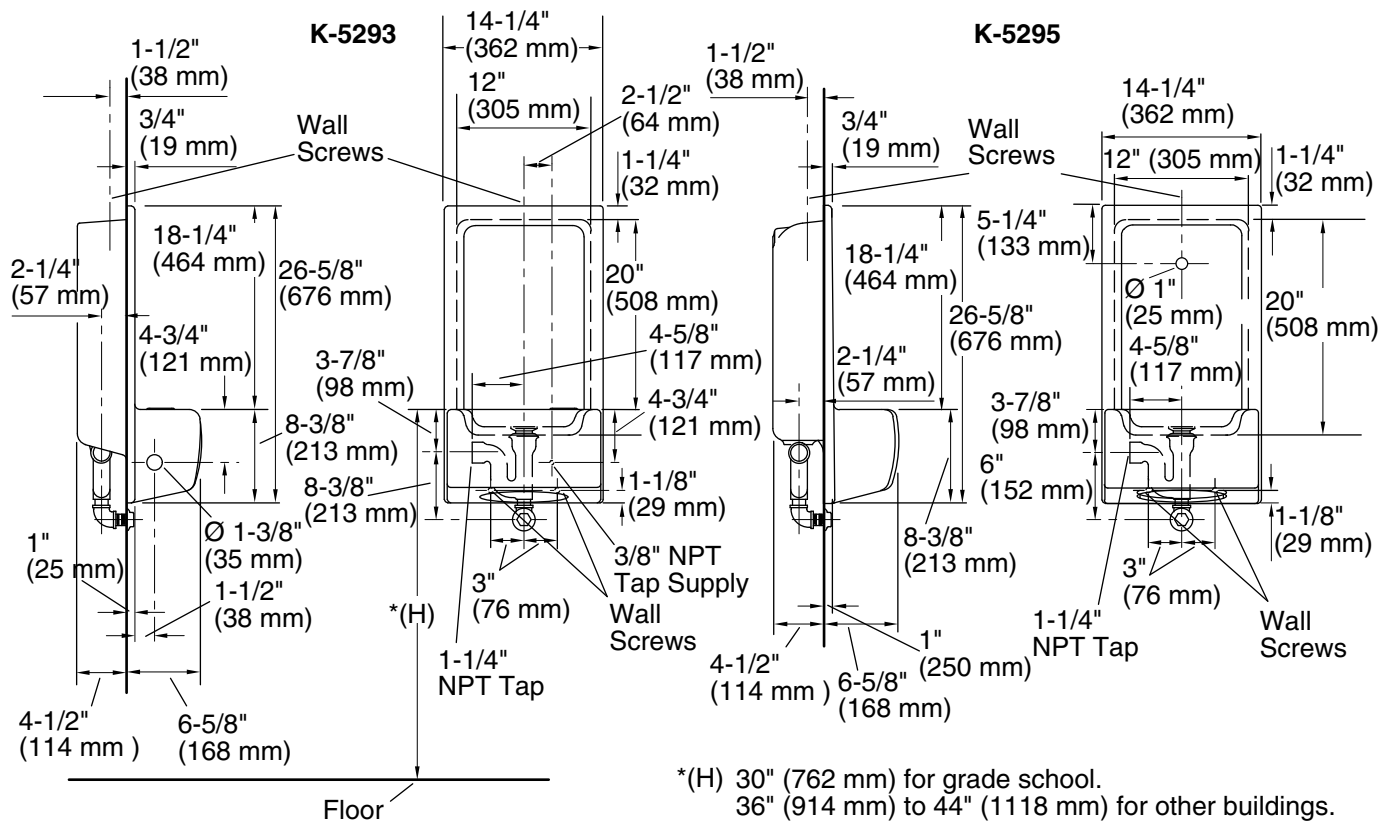
GLENBROOK™/GLENGUARD™

Technical Information

| | |
|-----------------------------|--------------------------------|
| Fixture: | |
| Configuration | Drinking fountain and cuspidor |
| Included components: | |
| Condensation plate assembly | 34902 |
| Bubbler assembly | 35301 |
| Supply stop assembly | 79186 |
| Trap | 35314 |
| Wall screw access pack | 52054 |

Installation Notes

Install this product according to the installation guide.



Product Diagram