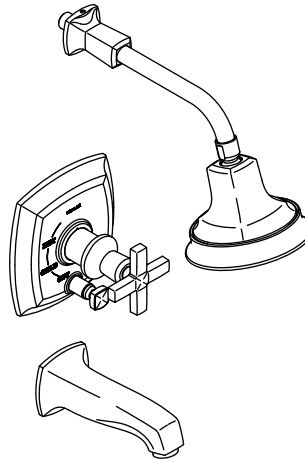


Features

- Brass construction
- MasterClean™ sprayface on showerhead resists mineral buildup
- Available with cross handle or lever handle
- Push button diverter on bath and shower trim models [K-T16233]
- Requires a Rite-Temp valve
- Complements Margaux Suite

**BATH & SHOWER TRIM SET
K-T16233**

ALSO K-T16234, K-T16235, K-T16246



Codes/Standards Applicable

Specified model meets or exceeds the following:

- ASME A112.18.1/CSA B125.1
- ASSE 1016

Colors/Finishes

- CP: Polished Chrome
- Other: Refer to Price Book for additional colors/finishes

Accessories

- NA: None applicable

Specified Model

| Model | Description | Colors/Finishes | |
|------------|---|-----------------------------|--------------------------------------|
| K-T16233-3 | Bath and shower trim – cross handle (shown) | <input type="checkbox"/> CP | <input type="checkbox"/> Other _____ |
| K-T16233-4 | Bath and shower trim – lever handle | <input type="checkbox"/> CP | <input type="checkbox"/> Other _____ |
| K-T16234-3 | Shower trim only – cross handle | <input type="checkbox"/> CP | <input type="checkbox"/> Other _____ |
| K-T16234-4 | Shower trim only – lever handle | <input type="checkbox"/> CP | <input type="checkbox"/> Other _____ |
| K-T16235-3 | Valve trim – cross handle | <input type="checkbox"/> CP | <input type="checkbox"/> Other _____ |
| K-T16235-4 | Valve trim – lever handle | <input type="checkbox"/> CP | <input type="checkbox"/> Other _____ |
| K-16246 | Bath spout | <input type="checkbox"/> CP | <input type="checkbox"/> Other _____ |

| Required Accessories | | |
|----------------------|---|-----------------------------|
| K-304-* | Rite-Temp® valve OR | <input type="checkbox"/> NA |
| K-2971-KS | HiFlow Rite-Temp valve with stops OR | <input type="checkbox"/> NA |
| K-11748-K | Rite-Temp valve with diverter OR | <input type="checkbox"/> NA |

Product Specification

The bath & shower trim set shall be made of brass construction. Faucet trim shall be available with a cross handle or a lever handle. Product shall feature a push button diverter on bath and shower trim models [K-T16233]. Showerhead shall feature a MasterClean sprayface on showerhead which resists mineral buildup. Product requires a Rite-Temp valve. Product shall complement the Margaux Suite. Bath and shower trim shall be Kohler Model K-T____-____-____ or K-____-____ and Rite-Temp valving shall be K-____-____-NA.

MARGAUX®

Required Accessories

K-11748-KS Rite-Temp valve with diverter and stops

NA

* For a complete listing of all the Rite-Temp valves, refer to the K-304-* Specification Sheet or Roughing-In Sheet.

Optional Accessories

88526 HiFlow Rite-Temp® thin wall installation kit

CP

Other _____

Installation Notes

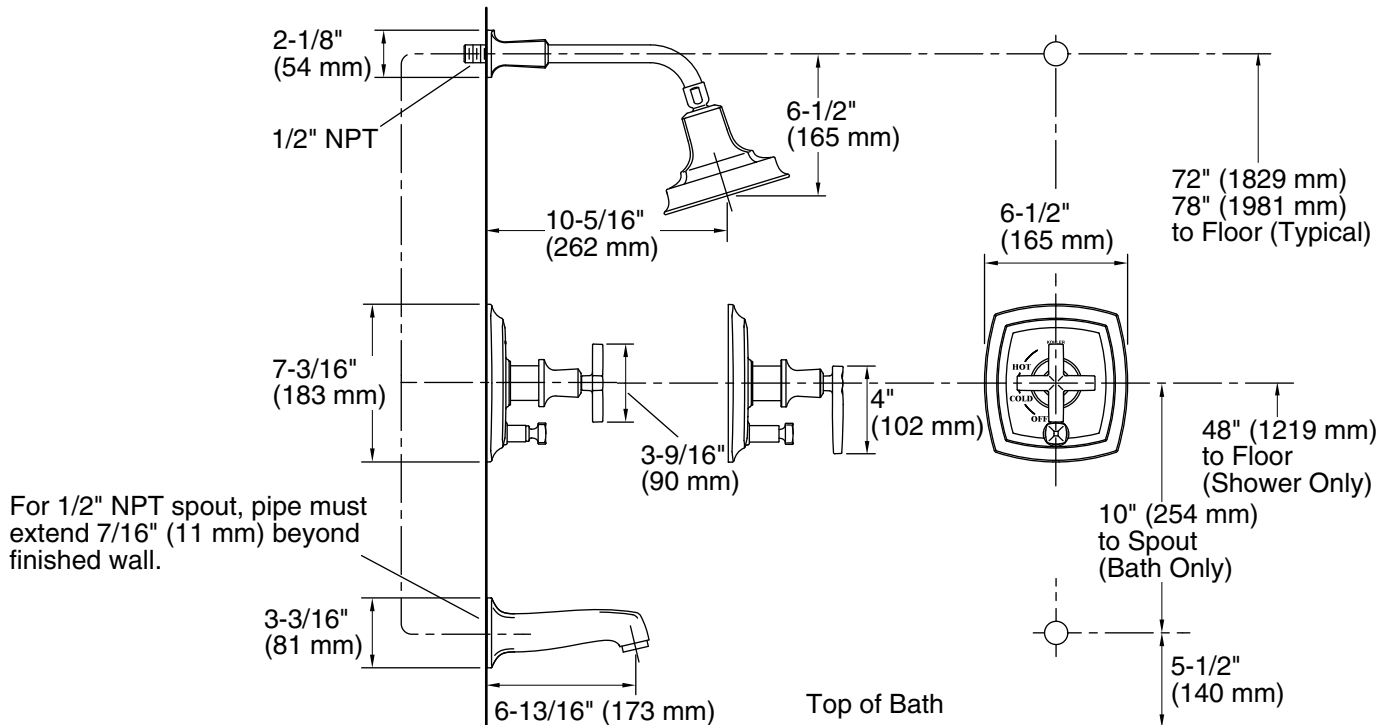
Install this product according to the installation guide.

NOTICE: Risk of product damage. Long screws, for installing trim, can damage the K-2971-KS valve. Consult the trim installation guide to verify if the thin wall installation kit (88526) is needed.

Avoid cross-flow conditions. Do not install shut-off device on either valve outlet.

Cap shower outlet if deck-mount spout, diverter, or handshower is connected to spout outlet.

Install straight pipe or tube drop of 7" (178 mm) to 18" (457 mm) with single elbow between the valve and wall-mount spout.



Product Diagram