

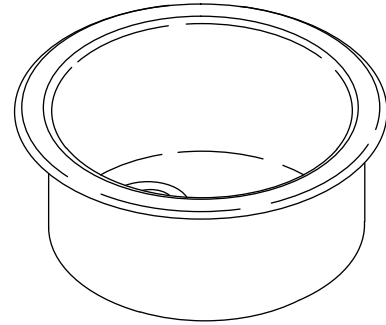
Features

- KOHLER cast iron
- Acid-resistant enamel finish
- Single compartment
- Top-mount or under-mount
- 18-3/8" (467 mm) in diameter

Codes/Standards Applicable

Specified model meets or exceeds the following:

- ASME A112.19.1/CSA B45.2



Colors/Finishes

- 0: White
- Other: Refer to Price Book for additional colors/finishes

Accessories

- CP: Polished Chrome
- NA: None applicable
- Other: Refer to Price Book for additional colors/finishes

Specified Model

Model	Description	Colors/Finishes	
K-6565	Bar sink	<input type="checkbox"/> 0	<input type="checkbox"/> Other_____

Optional Accessories			
K-6514	Hardwood cutting board	<input type="checkbox"/> NA	
K-6518	Wire rinse basket	<input type="checkbox"/> 0	<input type="checkbox"/> Other_____
K-8801	Duostrainer® sink strainer	<input type="checkbox"/> CP	<input type="checkbox"/> Other_____

Product Specification

The bar sink shall be made of cast iron with acid-resistant enamel finish. Sink shall be top-mount or under-mount with a single compartment. Sink shall be 18-3/8" (467 mm) in diameter. Sink shall be Kohler Model K-6565-_____.

PORTO FINO

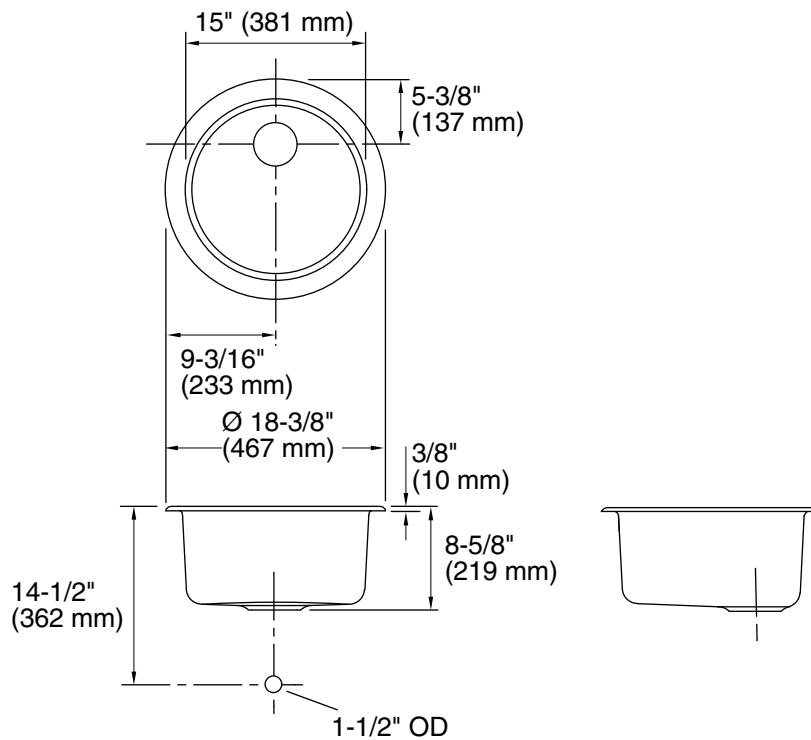
Technical Information

Fixture*:	
Bowl diameter	15" (381 mm)
Water depth	8" (203 mm)
Drain hole	Ø 3-5/8" (92 mm)
* Approximate measurements for comparison only.	

Included components:	
Cut-out template	112355-7
Clamp accessory pack (under-mount)	52047

Installation Notes

Install this product according to the installation guide.



Product Diagram