

Features

- Brass construction
- Fixture-mount design
- Includes four 1.5 V AA batteries
- Electronic infrared sensor with TriPoint™ technology for accurate activation
- Intended for urinal installations with 3/4" spud coupling connection
- Retrofit models require a control stop and vacuum breaker
- 0.5 gallon (1.9 L) flush flow rate
- Slow-closing piston technology
- WaterSense® compliant when used with K-4960-ET or K-5016-ET

Codes/Standards Applicable

Specified model meets or exceeds the following:

- ADA
- ICC/ANSI A117.1
- CSA B651
- OBC
- CSA B64
- CSA B125.3
- ASSE 1037
- FCC 47, Part 15
- EN 55022
- ASME A112.18.1/CSA B125.1
- EPA WaterSense®
- ICES-003 Class B

Specified Model

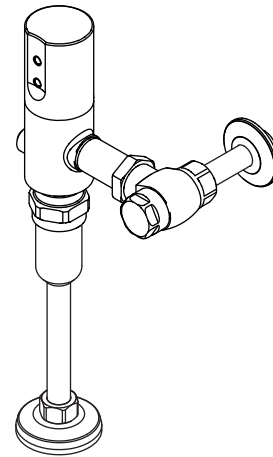
Model	Description	Colors/Finishes
K-10958	Exposed flushometer – 0.5 gpf (1.9 lpf), washdown with TriPoint™ technology	<input type="checkbox"/> CP
K-10963	Exposed flushometer – 0.5 gpf (1.9 lpf), washdown with TriPoint technology, retrofit	<input type="checkbox"/> CP

EXPOSED FLUSHOMETER

K-10958

ALSO K-10963

ADA CSA B651 OBC



Colors/Finishes

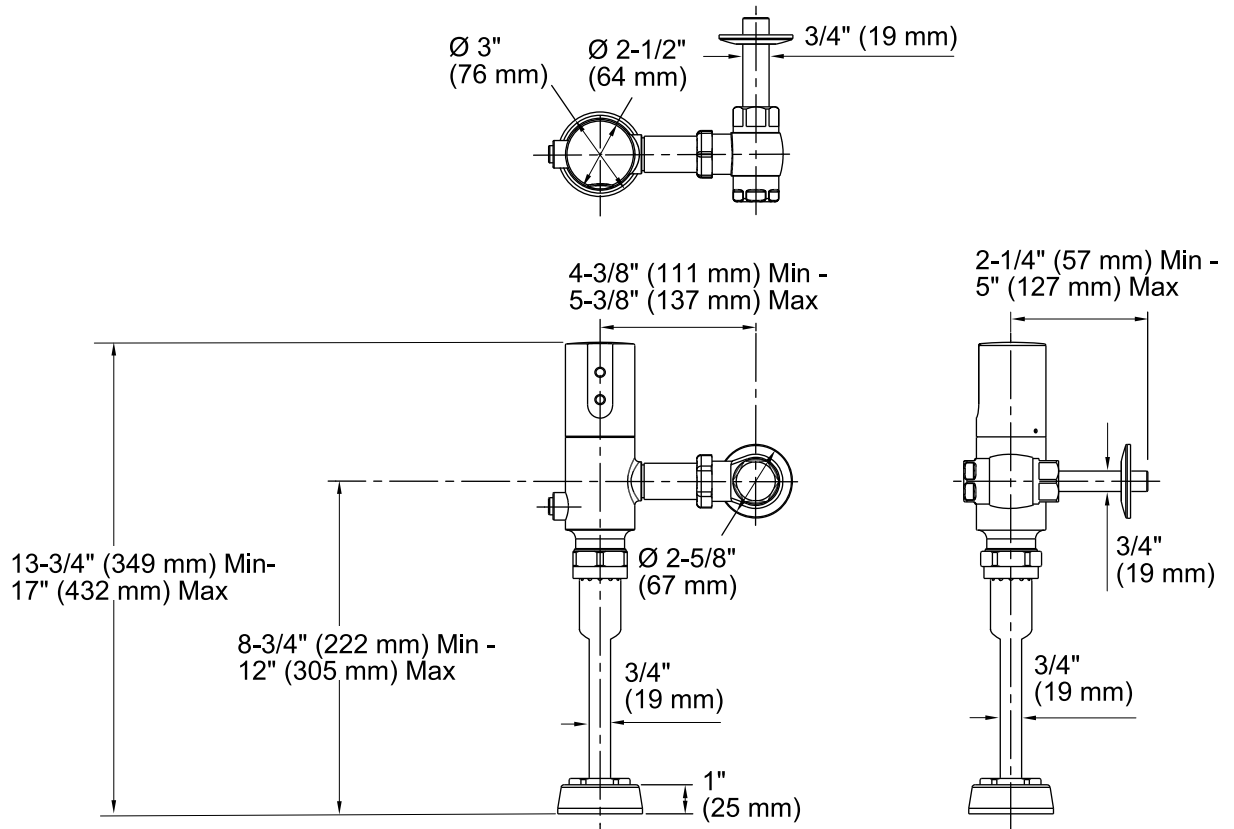
- CP: Polished Chrome

Product Specification

Electronic flushometer shall be made of brass construction. Valve shall feature electronic infrared sensor with TriPoint technology for accurate activation. Valve shall be of a fixture-mount design. Product is intended for urinal installations with a 3/4" spud coupling connection and requires a control stop and vacuum breaker. Valve shall have a 0.5 gallon (1.9 L) flush flow rate and slow-closing piston technology. Valve shall be WaterSense compliant when used with K-4960-ET or K-5016-ET. Valve includes four 1.5 V AA batteries. Faucet shall be Kohler Model K-10958-CP or K-10963-CP.

Installation Notes

Install this product according to the installation guide.



Product Diagram