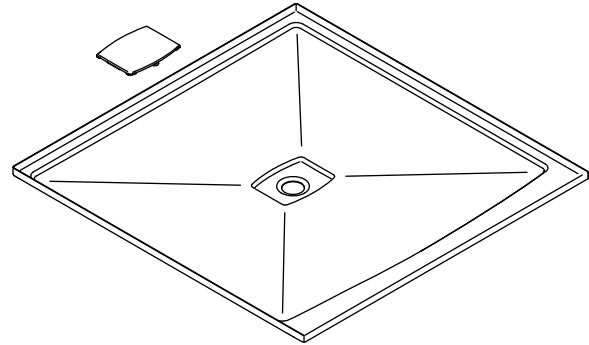


### Features

- Acrylic
- One-piece configuration
- For alcove installations
- Removable cover
- Drain hole at center
- 60" (1524 mm) x 60" (1524 mm) x 3-15/16" (100 mm)

### ACRYLIC SHOWER BASE WITH REMOVABLE DRAIN COVER K-9395



### Codes/Standards Applicable

Specified model meets or exceeds the following:

- CSA B45.5/IAPMO Z124
- ASTM E162
- ASTM E662

### Colors/Finishes

- 0: White
- Other: Refer to Price Book for additional colors/finishes

### Accessories

- CP: Polished Chrome
- PB: Vibrant® Polished Brass
- Other: Refer to Price Book for additional colors/finishes

### Specified Model

Model	Description	Colors/Finishes		
K-9395	Acrylic shower base with removable drain cover	<input type="checkbox"/> 0	<input type="checkbox"/> Other _____	
<b>Recommended Accessories</b>				
K-9132	Shower drain	<input type="checkbox"/> CP	<input type="checkbox"/> PB	<input type="checkbox"/> Other _____
<b>Optional Accessories</b>				
Refer to the Fixtures Price Book for shower door selections, glass options, and color information.				

### Product Specification

The acrylic shower base with removable drain cover shall be 60" (1524 mm) in length, 60" (1524 mm) in width, and 3-15/16" (100 mm) in height. Shower base shall be for alcove installations. Shower base shall be one-piece configuration with drain hole at center. Shower base shall be Kohler Model K-9395-\_\_\_\_\_.

# ARCHER®

## Technical Information

Fixture*:	
Weight	83 lbs (37.7 kg)
Configuration	one-piece
Drain hole	Ø 3-3/8" (86 mm)
* Approximate measurements for comparison only.	
Included components:	
Removable cover	1062356

## Installation Notes

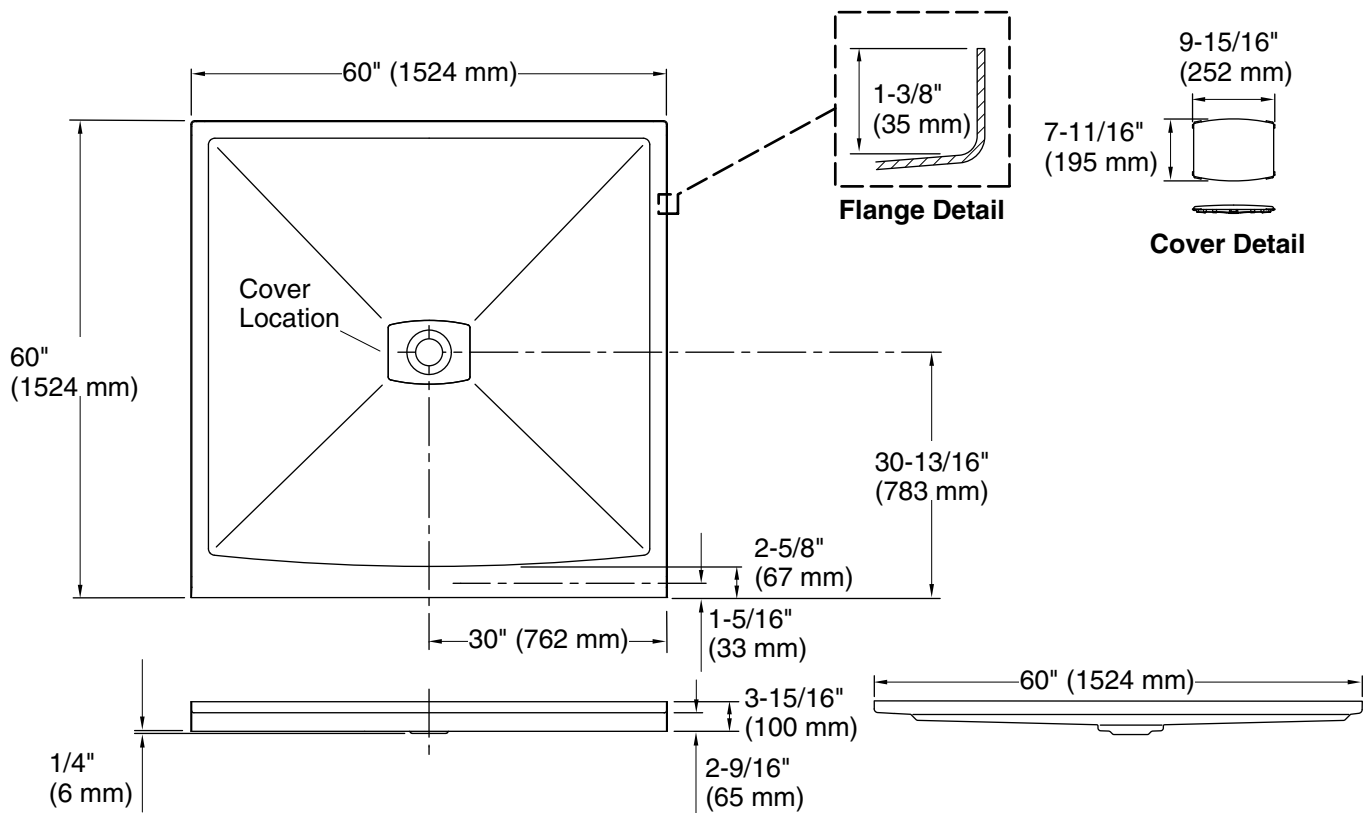
Install this product according to the installation guide.

Shimming may be required to level the fixture.

Shimming may be required between the stud frame and the fixture.

The stud opening tolerance is +1/4" (6 mm), -0" (0 mm).

When fire rated construction is specified, dimensions are to the inside of the fire-rated wall.



## Product Diagram

ARCHER® ACRYLIC SHOWER BASE WITH REMOVABLE DRAIN COVER

Page 2 of 2  
1066257-4-F

THE BOLD LOOK  
OF **KOHLER**®