

Features

- *Stainless steel construction*
- *Two quarter-turn washerless ceramic disc valves*
- *Available with 10" (256 mm) or 7" (178 mm) gooseneck swing spout*
- *Available with a 10" (256 mm) or 7" (178 mm) swing spout reach*
- *Lower flow aerator options available (refer to the Kohler Price Book)*
- *2.2 gallons (8.3 L) per minute maximum flow rate*

**KITCHEN SINK FAUCET
K-7341
ALSO K-7342**

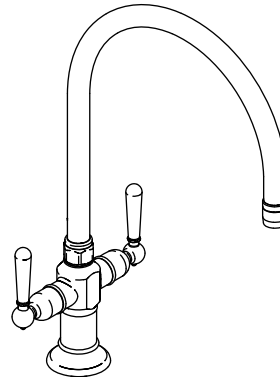
ADA

CSA B651

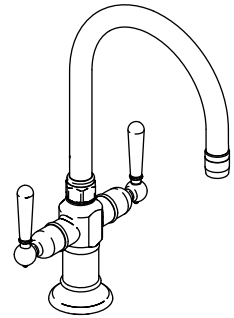
Codes/Standards Applicable

Specified model meets or exceeds the following at date of manufacture:

- *ADA*
- *ICC/ANSI A117.1*
- *CSA B651*
- *ASME A112.18.1/CSA B125.1*
- *Energy Policy Act of 2005*
- *NSF 61*
- *All applicable US Federal and State material regulations*



K-7341



K-7342

Colors/Finishes

- *BS: Brushed Stainless Steel*
- *S: Polished Stainless Steel*

Accessories

- *BS: Brushed Stainless Steel*
- *S: Polished Stainless Steel*

Specified Model

Model	Description	Colors/Finishes	
K-7341-4	Kitchen sink faucet – with 10" (256 mm) swing spout reach	<input type="checkbox"/> BS	<input type="checkbox"/> S
K-7342-4	Bar sink faucet – with 7" (178 mm) swing spout reach	<input type="checkbox"/> BS	<input type="checkbox"/> S
Recommended Accessories			
K-7344-4	HiRise independent sidespray with lever handle	<input type="checkbox"/> BS	<input type="checkbox"/> S
K-7346	HiRise soap/lotion dispenser	<input type="checkbox"/> BS	<input type="checkbox"/> S

Product Specification

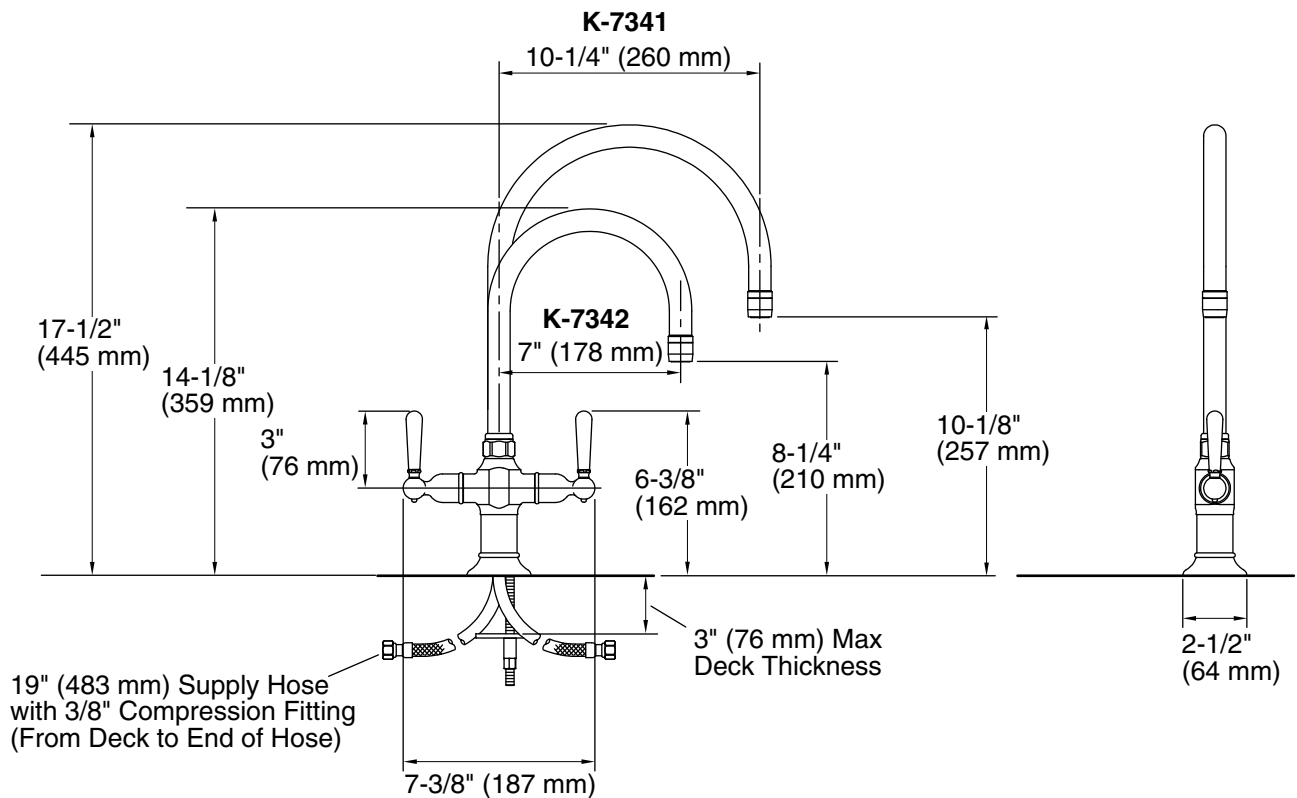
The two-handle sink faucet shall be constructed of stainless steel. Product shall have a maximum flow rate of 2.2 gallons (8.3 L) per minute with lower flow aerator options available (refer to the Kohler Price Book). Product shall feature two quarter-turn washerless ceramic disc valves, and flexible connections for easy installation. Product shall be available with a 10" (256 mm) or 7" (178 mm) swing spout reach. Faucet shall be Kohler Model K-____-____.

HIRISE™

Installation Notes

Install this product according to the installation guide.

ADA, CSA B651 compliant when installed to the specific requirements of these regulations.



Product Diagram