

Features

- Acrylic
- Slotted overflow for maximum bathing depth
- Low threshold height
- Integral lumbar support
- Armrests
- 60" (1524 mm) x 32" (813 mm) x 19" (483 mm)

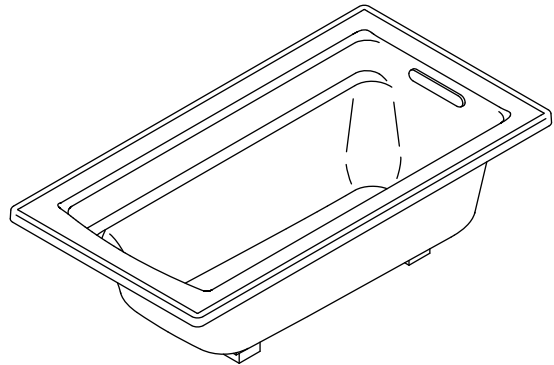
5' DROP-IN BATH K-1123

ADA

Codes/Standards Applicable

Specified model meets or exceeds the following:

- ADA
- ICC/ANSI A117.1
- CSA B45.5/IAPMO Z124
- ASTM E162
- ASTM E662



Colors/Finishes

- 0: White
- Other: Refer to Price Book for additional colors/finishes

Accessories:

- CP: Polished Chrome
- Other: Refer to Price Book for additional colors/finishes

Specified Model

Model	Description	Colors/Finishes	
K-1123	Drop-in bath	<input type="checkbox"/> 0	<input type="checkbox"/> Other_____
Required Accessories			
K-7271	Clearflo slotted overflow brass bath drain OR	<input type="checkbox"/> CP	<input type="checkbox"/> Other_____
K-7272	Clearflo slotted overflow bath drain – PVC pipe	<input type="checkbox"/> CP	<input type="checkbox"/> Other_____

Product Specification:

The acrylic drop-in bath shall be 60" (1524 mm) in length, 32" (813 mm) in width, and 19" (483 mm) in height. Bath shall have slotted overflow for maximum bathing depth, low threshold height, and integral lumbar support. Bath shall have armrests. Bath shall be Kohler Model K-1123-_____.

ARCHER™

Technical Information

Fixture*:	
Bathing well	
Basin area bottom	45-1/8" (1146 mm) x 19-11/16" (500 mm)
Basin area top	52-3/4" (1340 mm) x 25-5/16" (643 mm)
Weight	70 lbs (31.7 kg)
To overflow	
Water depth	15" (381 mm)
Capacity	58 gal (219.5 L)
* Approximate measurements for comparison only.	
Drop-in cutout	58-1/2" (1486 mm) x 30-1/2" (775 mm)

Installation Notes

Install this product according to the installation guide.

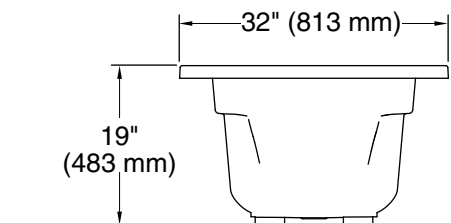
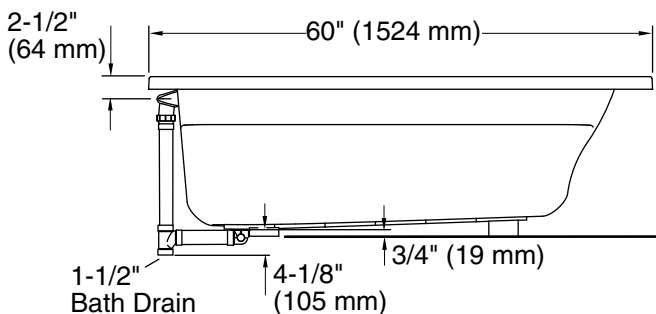
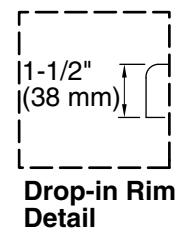
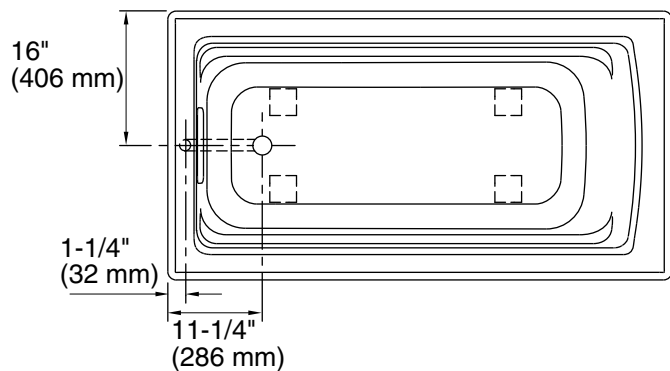
Floor support under this product must provide for a minimum of 44 lbs/square foot (212 kg/square meter) loading.

The hot water supply should be 70% of the capacity of the bath or greater. Installations will vary.

This bath is designed for drop-in installation only. It is not suited for use in a three wall alcove with an overhead shower.

Will comply with **ADA** when installed per Section 607 Bathtubs of the Act.

No change in measurements if connected with drain illustrated. (K-7272)



Product Diagram