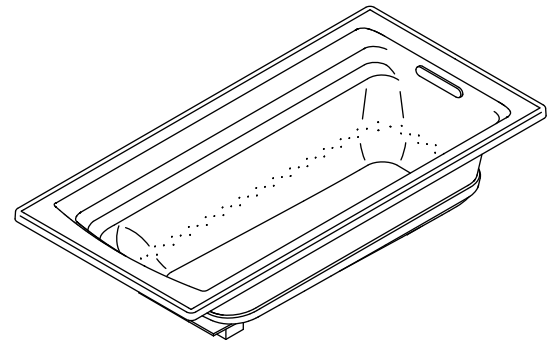


Features

- Acrylic
- Blower motor with 300 W heater, and electronic user control
- Blower motor is supplied with a grounding-type plug-in cord
- 120 BubbleMassage™ airjets
- Drop-in
- Low threshold height
- Slotted overflow for maximum bathing depth
- Integral lumbar support
- Armrests
- 72" (1829 mm) x 36" (914 mm) x 19" (483 mm)

6' (1.8 m) BUBBLEMASSAGE™ BATH K-1124-G

ADA



Codes/Standards Applicable

Specified model meets or exceeds the following:

- ADA
- ICC/ANSI A117.1
- CSA B45.5/IAPMO Z124
- IAPMO IGC 171
- ASTM E162
- ASTM E662
- UL 1795

Colors/Finishes

- 0: White
- Other: Refer to Price Book for additional colors/finishes

Accessories

- 0: White
- CP: Polished Chrome
- Other: Refer to Price Book for additional colors/finishes

Specified Model

Model	Description	Colors/Finishes	
K-1124-G	6' (1.8 m) BubbleMassage bath – drop-in only	<input type="checkbox"/> 0	<input type="checkbox"/> Other_____
Required Accessories			
K-7271	Clearflo slotted overflow brass bath drain OR	<input type="checkbox"/> CP	<input type="checkbox"/> Other_____
K-7272	Clearflo slotted overflow bath drain – PVC pipe	<input type="checkbox"/> CP	<input type="checkbox"/> Other_____
Recommended Accessories			
K-1446	Remote blower installation kit		NA
Optional Accessories			
K-9529	Removable bath seat		<input type="checkbox"/> 0

Product Specification

The acrylic bath with airjets shall be 72" (1829 mm) in length, 36" (914 mm) in width, and 19" (483 mm) in height. Bath shall have a blower motor with 300 W heater and an electronic user control. The blower motor shall have a grounding-type plug-in cord. Bath shall have 120 BubbleMassage airjets. Bath shall have slotted overflow for maximum bathing depth and low threshold height. Bath shall have an integral lumbar support and armrests. The bath with airjets shall be Kohler Model K-1124-G-_____.

ARCHER™

Technical Information

Fixture*:	
Bathing well	
Basin area, bottom	51-3/8" (1305 mm) x 21" (533 mm)
Basin area, top	64-1/2" (1638 mm) x 30-1/2" (775 mm)
Weight	100 lbs (45.4 kg)
To overflow	
Water depth	15" (381 mm)
Capacity	72 gal (273 L)
* Approximate measurements for comparison only.	

Drop-in cutout	70-1/2" (1791 mm) x 34-1/2" (876 mm)
----------------	--------------------------------------

Blower motor:	Heater	V	Hz	A
	300 W	120	60	5

Required Electrical Service

Dedicated circuit required, protected with Class A Ground-Fault Circuit-Interrupter (GFCI):

Blower motor:	120 V, 15 A, 60 Hz
Blower motor is supplied with a 24" (610 mm) grounding-type plug-in cord.	

Installation Notes

Install this product according to the installation guide.

NOTICE: Relocation of the blower motor and check valve is optional. Only mount the blower motor and check valve together. Do not move one without the other.

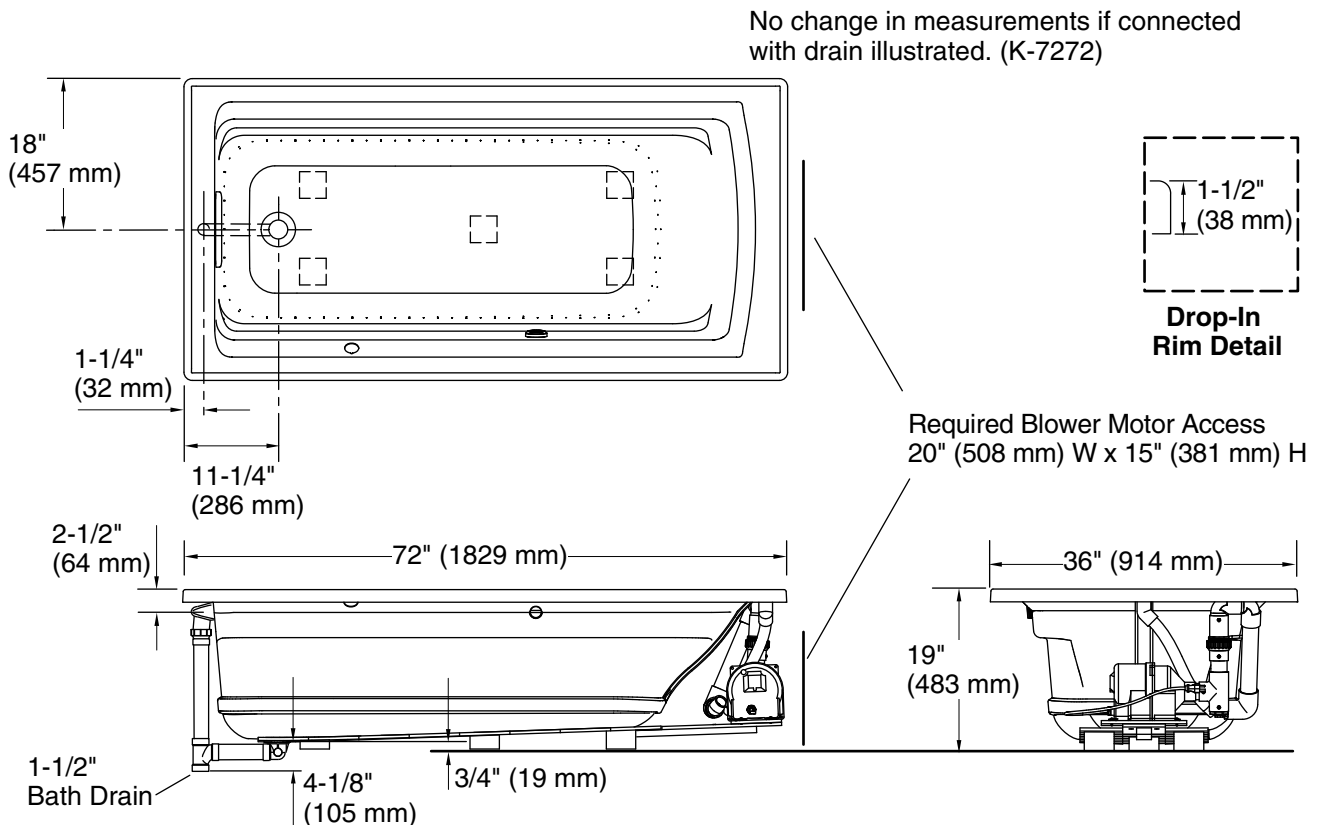
NOTICE: Two access panels are required for blower motor and check valve relocation. Provide one access panel at the blow motor/control location and another at the control box.

Floor support under this product must provide for a minimum of 41 lbs/square foot (197 kg/square meter) loading.

The hot water supply should be 70% of the capacity of the bath or greater. Installations will vary.

Not suited for a three-wall alcove with an overhead shower.

Will comply with **ADA** when installed per Section 607 Bathtubs of the Act.



Product Diagram