

SCULPTED SHOWER SEAT K-1843

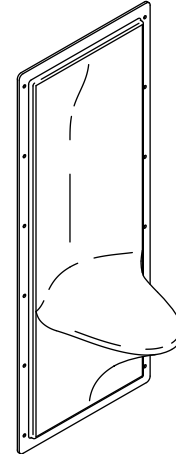
Features

- Acrylic
- One-piece configuration
- Reinforced with fiberglass (FRP)
- Attachment flanges
- For new construction or complete remodel of tiled showers only
- 14-5/8" (371 mm) x 40-3/4" (1305 mm) visible footprint

Codes/Standards Applicable

Specified model meets or exceeds the following:

- ANSI Z124.1.2
- CSA B45.0
- CSA B45.5



Colors/Finishes

- 0: White
- Other: Refer to Price Book for additional colors/finishes

Accessories:

- 0: White
- Other: Refer to Price Book for additional colors/finishes

Specified Model

Model	Description	Colors/Finishes	
K-1843	Sculpted shower seat	<input type="checkbox"/> 0	<input type="checkbox"/> Other_____
Recommended Accessories			
K-1842	Sculpted shower storage	<input type="checkbox"/> 0	<input type="checkbox"/> Other_____

Product Specification:

The sculpted shower seat shall be reinforced with fiberglass (FRP). Product shall have a visible footprint of 14-5/8" (371 mm) width and 40-3/4" (1305 mm) height. Product shall be one-piece configuration with attachment flanges. Product shall be for new construction or complete remodel of tiled showers only. Sculpted shower seat shall be Kohler Model K-1843-_____.

Technical Information

Fixture:	
Configuration	One-piece
Weight	21 lbs (9.53 kg)

Installation Notes

IMPORTANT! This product is for new construction or complete remodel (down to the stud framing) of tiled showers only. Do not install this product to plastic walls or any other material besides tile.

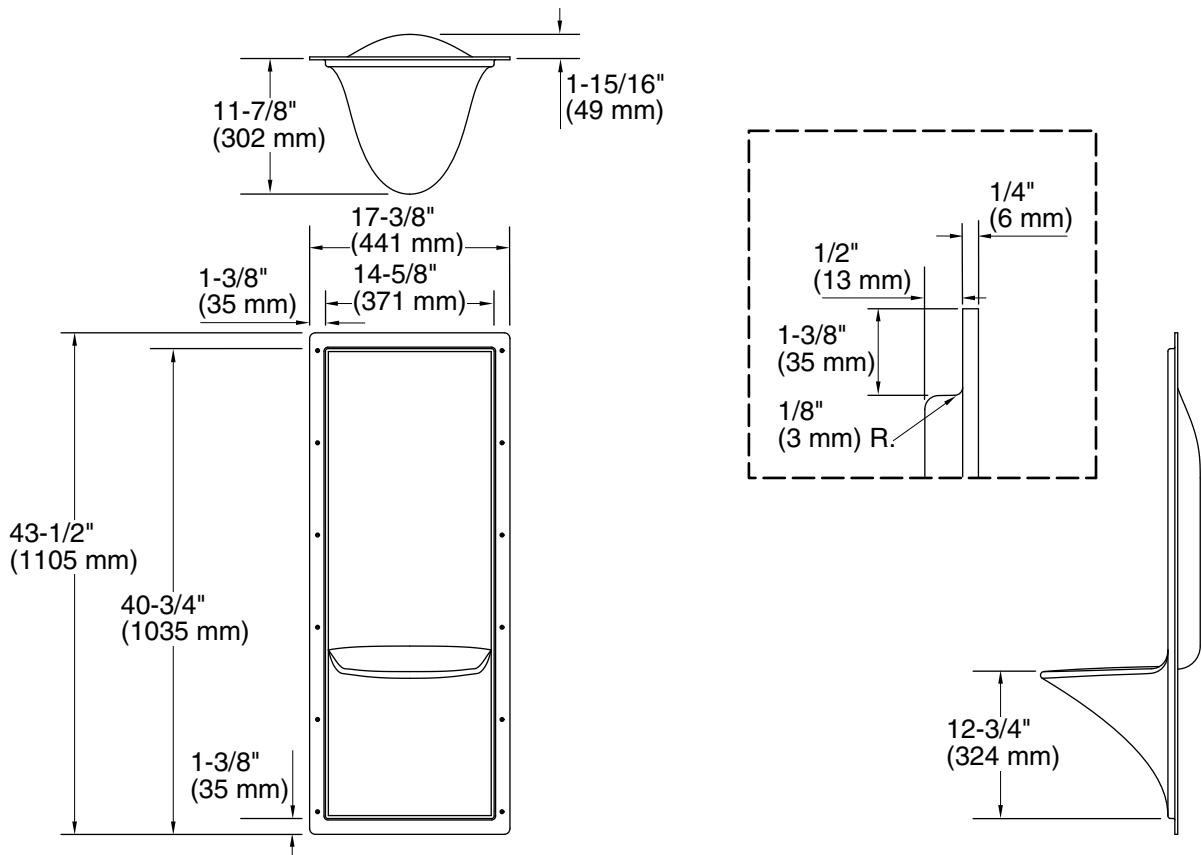
Install this product according to the installation guide.

Shimming may be required to create an even transition from the wall material to the unit.

Product protrudes into the pocket stud. The intended pocket stud should be free of plumbing, wiring, or other obstructions.

Placement of unit must be determined in advance. Installation requires double studs at the desired location.

Seat height will vary with installation.



Product Diagram