

## Features

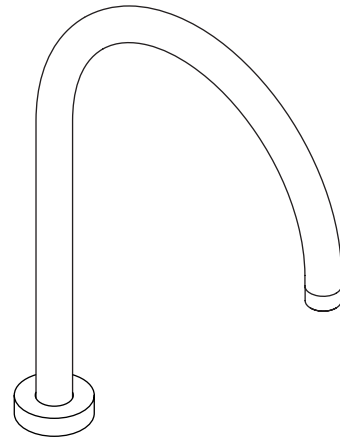
- Brass construction
- Deck-mount installation
- 13" (33 cm) high arch, non-diverter spout with slip-fit connector
- Includes laminar flow aerator
- Complements a variety of Kohler deck-mount handles (refer to the Kohler Price Book)

## Codes/Standards Applicable

Specified model meets or exceeds the following:

- ASME A112.18.1/CSA B125.1
- IAPMO/cUPC

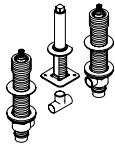
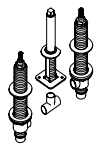
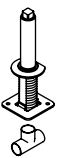
## DECK-MOUNT BATH FILLER K-8360



## Colors/Finishes

- CP: Polished Chrome
- Other: Refer to Price Book for additional colors/finishes

## Specified Model

| Model                       | Description                                   | Colors/Finishes  |   |   |
|-----------------------------|---|--|---|---|
| K-8360                      | Deck-mount bath filler                        | <input type="checkbox"/> CP  | <input type="checkbox"/> Other _____  |   |
| <b>Required Accessories</b> |   |  |  |  |
| K-300-K                     | 1/2" ceramic high-flow valve system <b>OR</b> | <input type="checkbox"/> NA  |   |   |
| K-301-K                     | 3/4" ceramic high-flow valve system <b>OR</b> |  | <input type="checkbox"/> NA   |   |
| K-411-K                     | Bath filler spout shank                       |  |   | <input type="checkbox"/> NA   |

## Product Specification

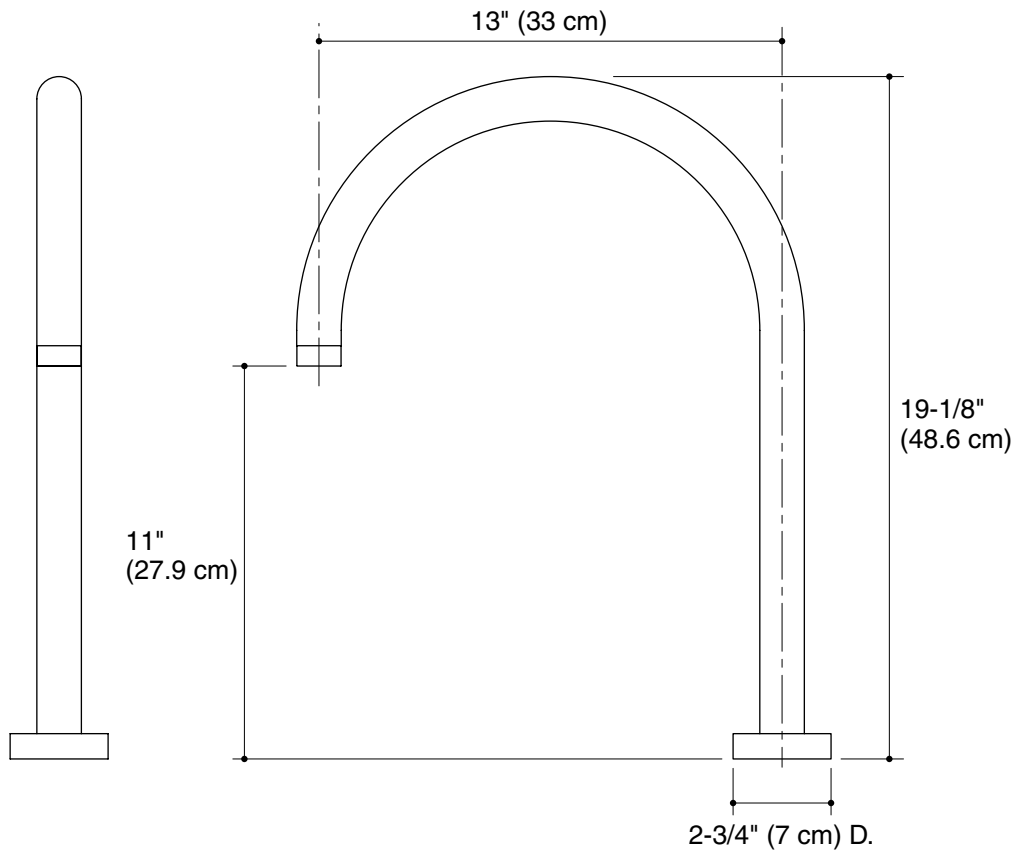
The deck-mount bath filler shall be of brass construction. Product shall be for deck-mount installation. Product shall feature a 13" (33 cm) high-arch, non-diverter spout with slip-fit connector. Faucet trim shall include a laminar flow aerator. Product shall complement a variety of Kohler deck-mount handles (refer to the Kohler Price Book). Product shall be Kohler Model K-8360-\_\_\_\_ and require Kohler Model K-\_\_\_\_-K-NA.

## Installation Notes



**WARNING: Risk of personal injury.** Do not use this product as a handrail. This product is not designed to support weight.

Install this product according to the installation guide.



**Product Diagram**