

Features

- Brass construction
- Touchless™ wall-mounted faucet
- 0.5 gallons (1.9 L) per minute flow rate
- Insight adaptive infrared technology

ADA

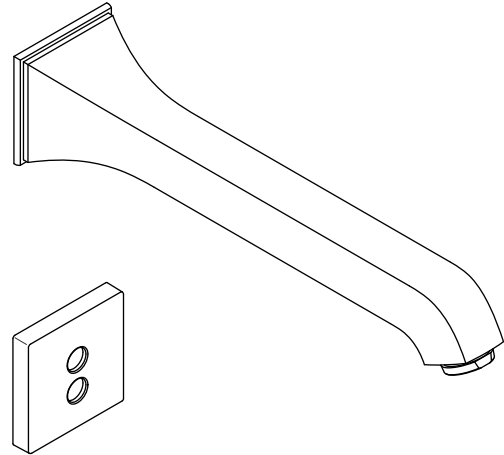
CSA B651

OBC

Codes/Standards Applicable

Specified model meets or exceeds the following:

- ADA
- ICC/ANSI A117.1
- CSA B651
- OBC
- ASME A112.18.1/CSA B125.1
- Energy Policy Act of 2005
- CE



Colors/Finishes

- CP: Polished Chrome
- VS: Stainless Steel

Accessories

- NA: None applicable

Specified Model

| Model | Description | Colors/Finishes | |
|-----------------------------|---|-----------------------------|-----------------------------|
| K-T11838 | Faucet trim | <input type="checkbox"/> CP | <input type="checkbox"/> VS |
| Required Accessories | | | |
| K-11830-NA | Wall-mount valve | <input type="checkbox"/> NA | |
| Optional Accessories | | | |
| 1160593 | Small Spray 0.38 gpm (1.44 lpm) – Insert only | <input type="checkbox"/> NA | |
| _____ | Additional flow options are available (refer to the Price Book) | <input type="checkbox"/> NA | |

Product Specification

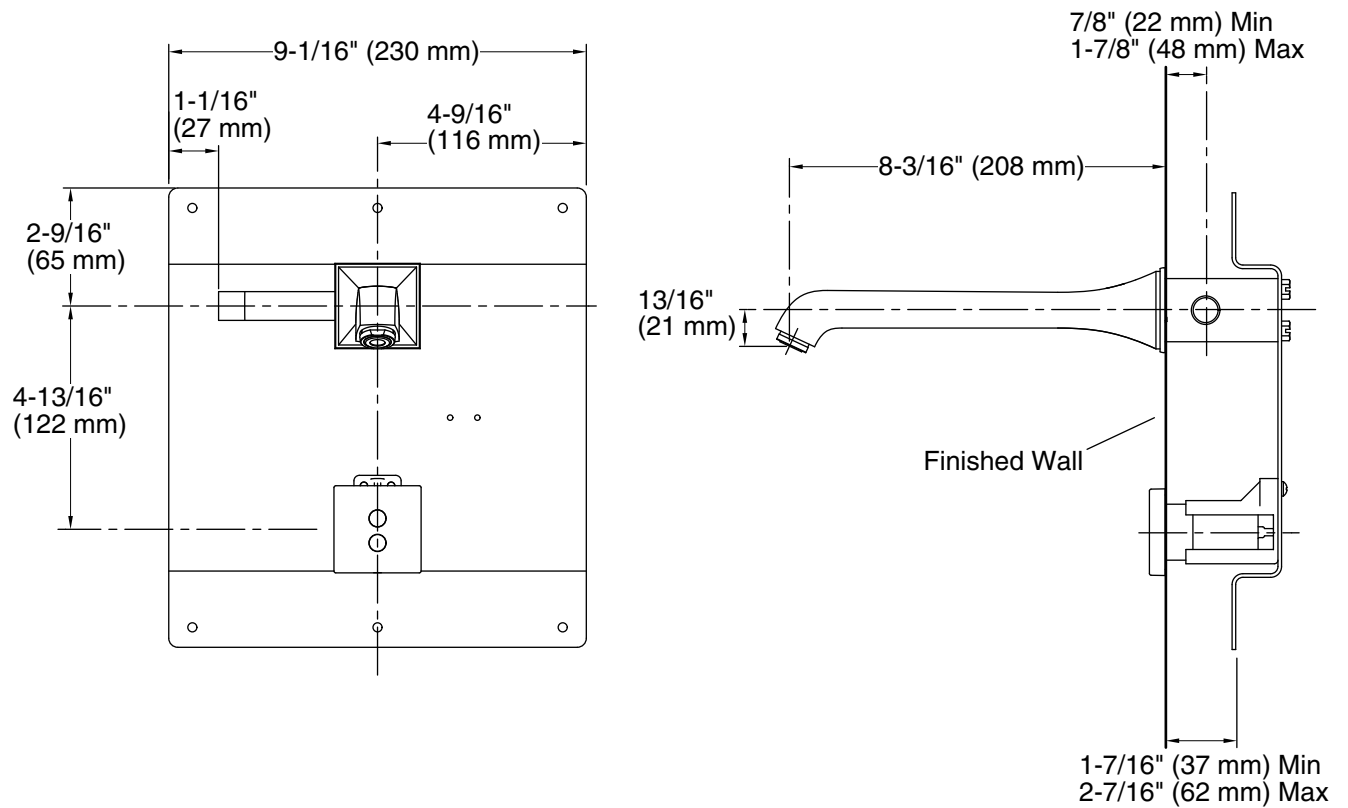
The Touchless™ wall-mounted faucet trim shall be made of brass construction. Faucet trim shall have a 0.5 gallons (1.9 L) per minute flow rate. The valve shall feature insight adaptive infrared technology. Faucet trim shall be Kohler Model K-T11838-_____.

MEMIORS®

Installation Notes

Install this product according to the installation guide.

ADA, CSA B651, OBC compliant when installed to the specific requirements of these regulations.



Product Diagram