

### Features

- Vitreous china
- Under-mount
- With overflow
- Without faucet hole(s)
- Includes 52047 clamp assembly
- 19-5/16" (491 mm) x 14" (356 mm) x 5" (127 mm)

### UNDER-MOUNT BATHROOM SINK K-2382

ADA

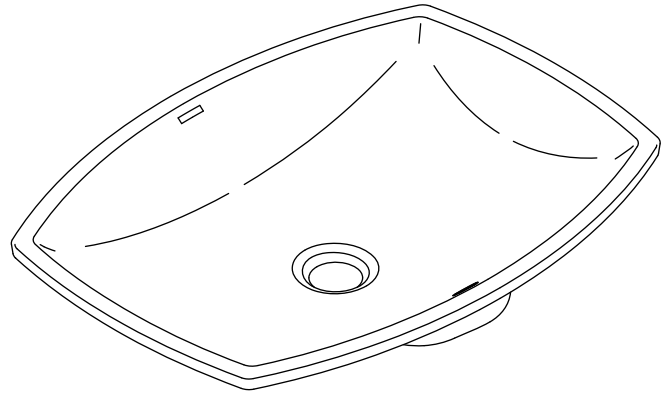
CSA B651

OBC

### Codes/Standards Applicable

Specified model meets or exceeds the following:

- ADA
- ICC/ANSI A117.1
- CSA B651
- OBC
- ASME A112.19.2/CSA B45.1



### Colors/Finishes

- 0: White
- Other: Refer to Price Book for additional colors/finishes

### Accessories

- CP: Polished Chrome
- Other: Refer to Price Book for additional colors/finishes

### Specified Model

Model	Description	Colors/Finishes	
K-2382	Under-mount bathroom sink	<input type="checkbox"/> 0	<input type="checkbox"/> Other_____
<b>Recommended Accessories</b>			
K-8998	Adjustable P-trap	<input type="checkbox"/> CP	<input type="checkbox"/> Other_____

### Product Specification

The under-mount bathroom sink shall be made of vitreous china. Bathroom sink shall be 19-5/16" (491 mm) in length, 14" (356 mm) in width, and 5" (127 mm) in depth. Bathroom sink shall be with overflow and without faucet hole(s). Bathroom sink shall include 52047 clamp assembly. Bathroom sink shall be Kohler Model K-2382-\_\_\_\_\_.

# KELSTON®

## Technical Information

Fixture*:	
Basin area	19-5/16" (491 mm) x 14" (356 mm)
Water depth	1-7/8" (48 mm)
Drain hole	Ø 1-3/4" (44 mm)
* Approximate measurements for comparison only.	
Included components:	
Basin clamp assembly	52047
Cut-out template	1086495-7

## Installation Notes

Install this product according to the installation guide.

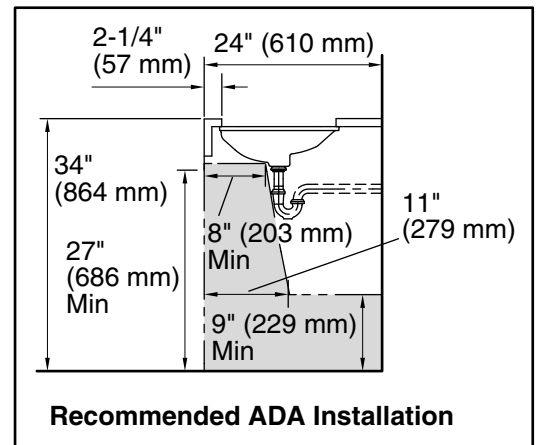
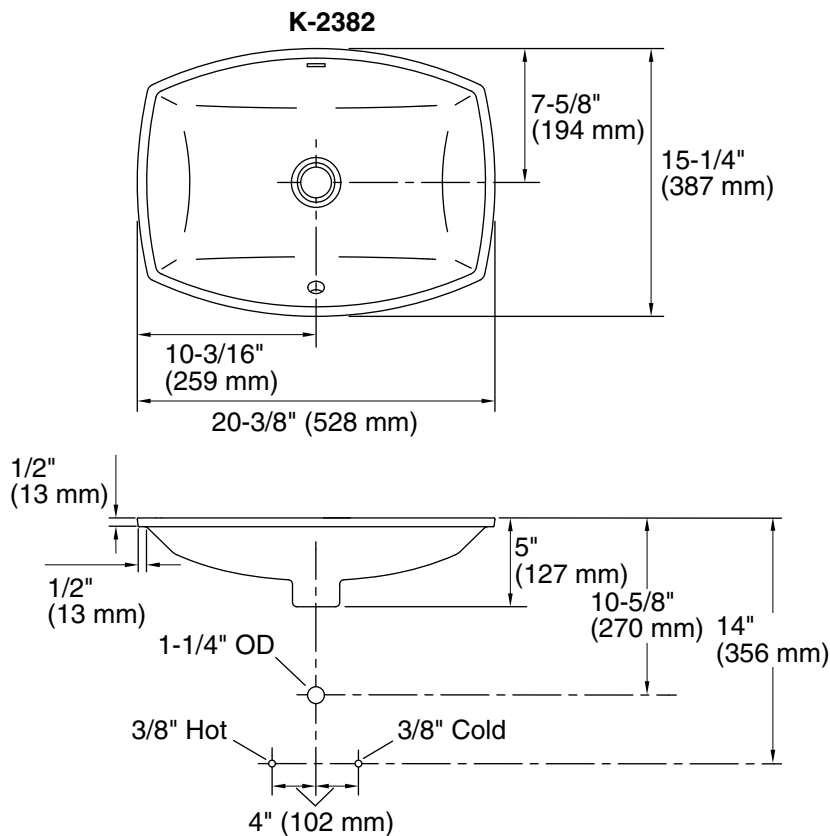
Supplied basin clamp assemblies require 1" (25 mm) minimum countertop thickness. Installer must supply anchors for thinner countertops.

**NOTICE:** Countertop manufacturer or cutter **must** use the cut-out template provided with the product, or a current one provided by Kohler Co. (call 1-800-4KOHLER). Kohler Co. is not responsible for cutout errors when the incorrect cut-out template is used.

Will comply with **ADA** when installed per Section 606 Lavatories of the Act.

Will comply with **CSA B651** when installed per Clause 4.3.3 of the standard.

Will comply with **OBC** when installed per Clause 3.8.3.11.



## Product Diagram