

### TOP-MOUNT UTILITY SINK K-6663

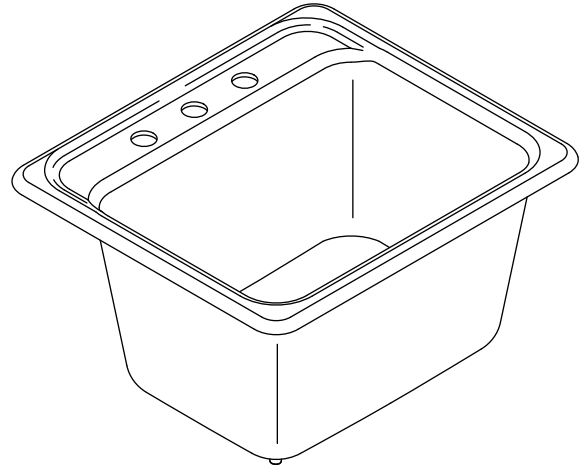
#### Features

- KOHLER cast iron
- Acid-resistant enamel finish
- Single bowl
- Top-mount
- 1-hole (-1), 2-hole (-2), or 3-hole (-3)
- 25" (635 mm) x 22" (559 mm)

#### Codes/Standards Applicable

Specified model meets or exceeds the following:

- ASME A112.19.1/CSA B45.2



#### Colors/Finishes

- 0: White
- Other: Refer to Price Book for additional colors/finishes

#### Accessories

- CP: Polished Chrome
- Other: Refer to Price Book for additional colors/finishes

#### Specified Model

Model	Description	Colors/Finishes	
K-6663-1	Top-mount utility sink – 1-hole	<input type="checkbox"/> 0	<input type="checkbox"/> Other_____
K-6663-2	Top-mount utility sink – 2-hole	<input type="checkbox"/> 0	<input type="checkbox"/> Other_____
K-6663-3	Top-mount utility sink – 3-hole (shown)	<input type="checkbox"/> 0	<input type="checkbox"/> Other_____
<b>Recommended Accessories</b>			
K-9000	P-Trap	<input type="checkbox"/> CP	
<b>Optional Accessories</b>			
K-8801	Duostrainer® sink strainer	<input type="checkbox"/> CP	<input type="checkbox"/> Other_____

#### Product Specification

The top-mount utility sink shall be 25" (635 mm) in length and 22" (559 mm) in width. Sink shall be made of cast iron with acid-resistant enamel finish. Sink shall be single compartment. Sink shall be 1-hole (-1), 2-hole (-2), or 3-hole (-3). Sink shall be Kohler Model K-6663-\_\_\_\_\_-\_\_\_\_\_.

# GLEN FALLS™

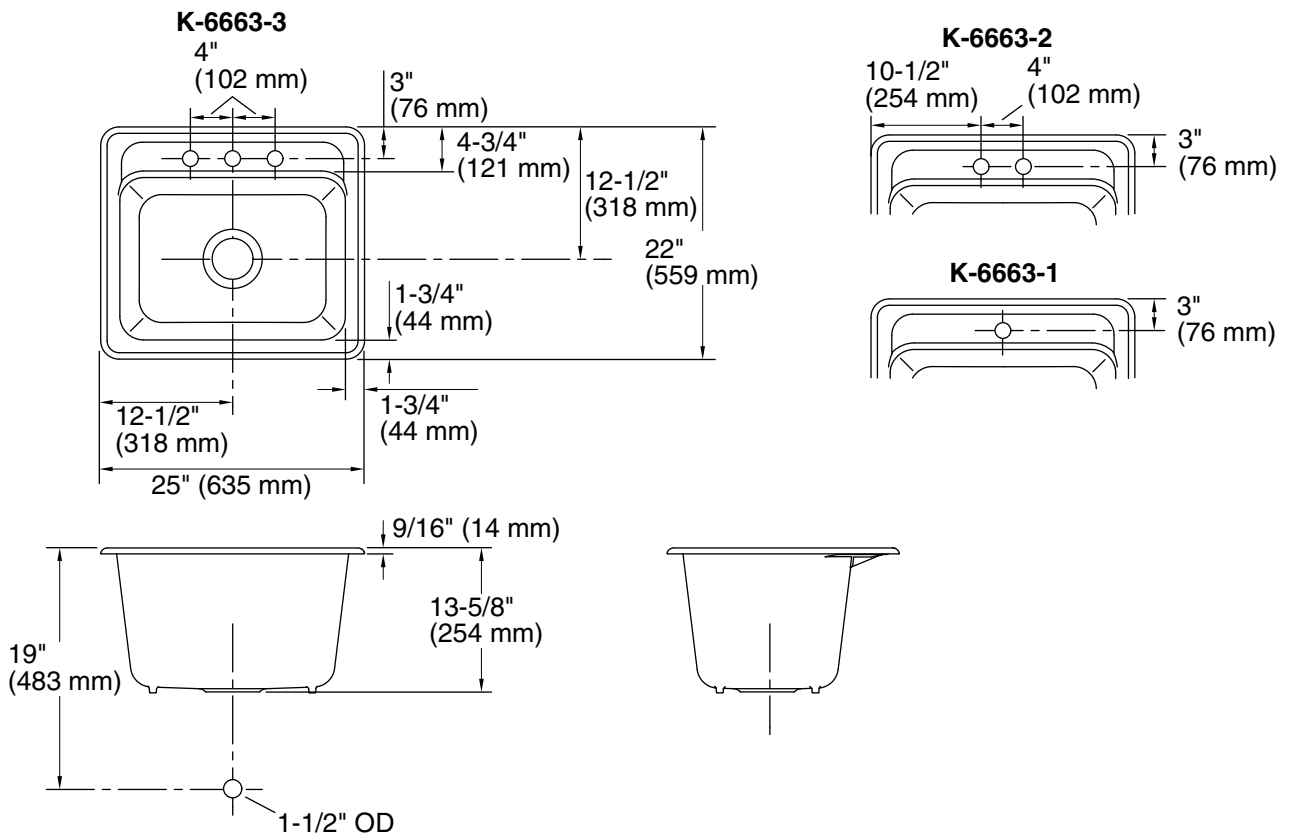
## Technical Information

Fixture*:	
Bowl area	21-1/2" (546 mm) x 15-1/2" (394 mm)
Water depth	13" (330 mm)
Drain holes	Ø 3-5/8" (92 mm)
Faucet holes	Ø 1-3/8" (35 mm)
* Approximate measurements for comparison only.	

Included components:	
Cut-out template	1079983-7

## Installation Notes

Install this product according to the installation guide.



## Product Diagram