

**BATH & SHOWER TRIM SET
K-T16225**

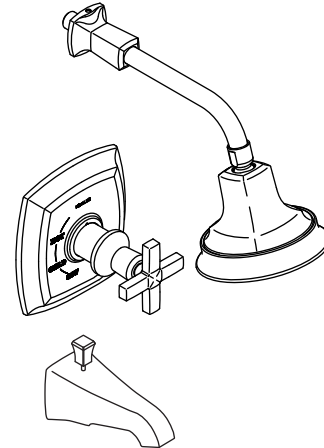
Features

- Brass construction
- MasterClean™ sprayface on showerhead resists mineral buildup
- Available with cross handle or lever handle
- Diverter on bath spout
- Designed for use with a Rite-Temp valve
- Complements Margaux Suite

Codes/Standards Applicable

Specified model meets or exceeds the following:

- ASME A112.18.1/CSA B125.1
- ASSE 1016



Colors/Finishes


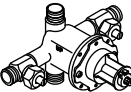
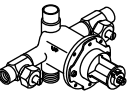

- CP: Polished Chrome
- Other: Refer to Price Book for additional colors/finishes

Accessories

- NA: None applicable

Specified Model

Model	Description	Colors/Finishes			
K-T16225-3	Bath and shower trim, diverter bath spout – cross handle (shown)	<input type="checkbox"/> CP	<input type="checkbox"/> Other _____		
K-T16225-4	Bath and shower trim, diverter bath spout – lever handle	<input type="checkbox"/> CP	<input type="checkbox"/> Other _____		

Required Rite-Temp Valve					
K-304-K	Less stops OR	<input type="checkbox"/> NA			
K-304-KP	CPVC connections - with stops OR		<input type="checkbox"/> NA		
K-304-KS	With stops OR			<input type="checkbox"/> NA	
K-306-KS	HiFlow – with stops <i>Requires 88526-C/F for thin wall installations.</i>				<input type="checkbox"/> NA

Product Specification

Bath & shower trim set shall be of brass construction. Faucet trim shall be available with a cross handle or lever handle. Product shall feature a diverter on the bath spout. Showerhead shall feature a MasterClean sprayface on showerhead which resists mineral buildup. Product shall be designed for use with a Rite-Temp valve. Product shall complement the Margaux Suite. Bath and shower trim shall be Kohler Model K-T16225-____-____ and Rite-Temp valving shall be K-____-____-NA.

MARGAUX™

Installation Notes

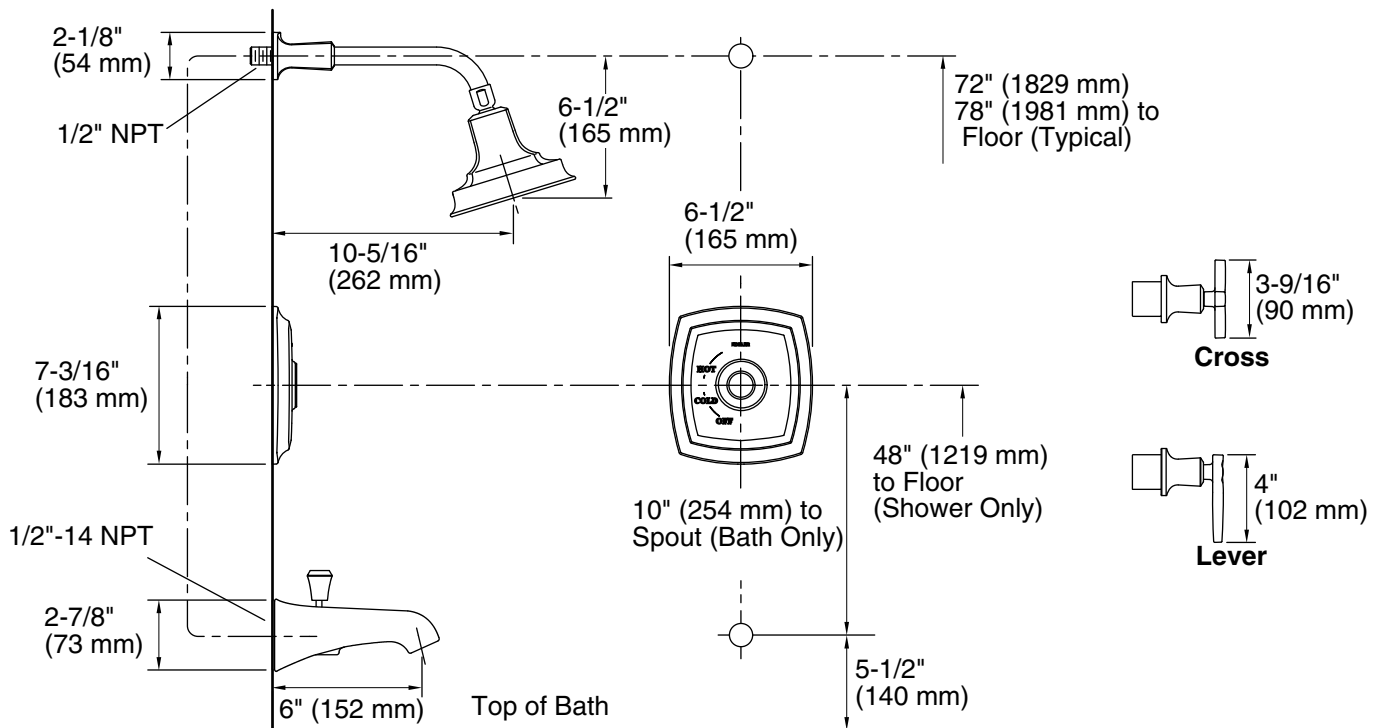
Install this product according to the installation guide.

NOTICE: For K-306-KS valve: The thin wall installation kit (88526-C/F) is required for thin wall (fiberglass or acrylic) installations.

Avoid cross-flow conditions. Do not install shut-off device on either valve outlet.

Cap shower outlet if deck-mount spout, diverter, or handshower is connected to spout outlet.

Install straight pipe or tube drop of 7" (178 mm) to 18" (457 mm) with single elbow between the valve and wall-mount spout.



Product Diagram