

## MEMOIRS® CLASS FIVE®

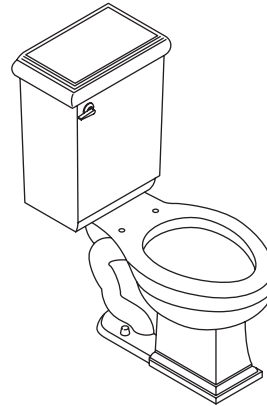
### COMFORT HEIGHT® TOILETS

# K-3532

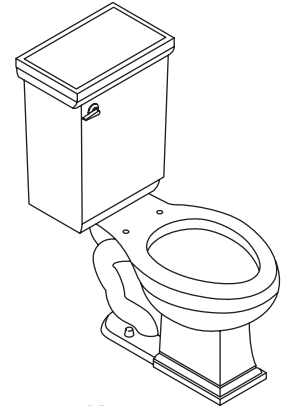
ALSO K-3533

#### Features

- Vitreous china
- Round-front
- 12" (305 mm) rough-in
- 1.6 gpf (6 lpf) or 1.28 gpf (4.8 lpf)
- 2-1/8" (54 mm) glazed trapway
- Class Five® flushing system
- Less seat and supply
- With Insuliner® insulated tank lining
- With Classic design (K-3532) or Stately design (K-3533)
- 10-3/4" (273 mm) x 8-1/2" (216 mm) water area
- 28-3/8" (721 mm) x 17-13/16" (452 mm) x 31-1/2" (800 mm) (K-3532)
- 28-3/8" (721 mm) x 18-7/8" (479 mm) x 31-1/8" (791 mm) (K-3533)



K-3532



K-3533

#### Codes/Standards Applicable

Specified model meets or exceeds the following:

- ASME A112.19.2/CSA B45.1
- Energy Policy Act of 1992

#### Colors/Finishes

- 0: White
- Other: Refer to Price Book for additional colors/finishes

#### Accessories

- 0: White
- CP: Polished Chrome
- PB: Vibrant® Polished Brass
- Other: Refer to Price Book for additional colors/finishes

#### Specified Model

Model	Description	Colors/Finishes	
K-3532	Round-front toilet with Insuliner and Classic design	<input type="checkbox"/> 0	<input type="checkbox"/> Other_____
K-3533	Round-front toilet with Insuliner and Stately design	<input type="checkbox"/> 0	<input type="checkbox"/> Other_____

#### Recommended Accessories

K-4639	Cachet™ Quite-Close™ round, closed-front toilet seat with cover	<input type="checkbox"/> 0	<input type="checkbox"/> Other_____
K-4662	Lustra™ round, closed-front toilet seat with cover	<input type="checkbox"/> 0	<input type="checkbox"/> Other_____
K-7637	3/8" NPT angle supply with stop	<input type="checkbox"/> CP	<input type="checkbox"/> PB <input type="checkbox"/> Other_____

#### Product Specification

The round-front toilet shall be 12" (305 mm) rough-in. The toilet shall be made of vitreous china. The toilet shall be Classic design (K-3532) or Stately design (K-3533). The toilet shall be at Comfort Height with a 16-1/2" (419 mm) high bowl. The toilet shall be rated at 1.6 gallons (6 L) per flush or 1.28 gallons (4.8 L) per flush, with Class Five flushing system. The toilet shall have 2" (51 mm) glazed trapway, and 10-3/4" (273 mm) x 8-1/2" (216 mm) water area. The toilet shall be less seat and supply. The toilet shall have Insuliner® insulated tank lining. K-3532 shall be 28-3/8" (721 mm) x 17-13/16" (452 mm) x 31-1/2" (800 mm). K-3533 shall be 28-3/8" (721 mm) x 18-7/8" (479 mm) x 31-1/8" (791 mm). The toilet shall be Kohler Model K-\_\_\_\_\_-\_\_\_\_\_.

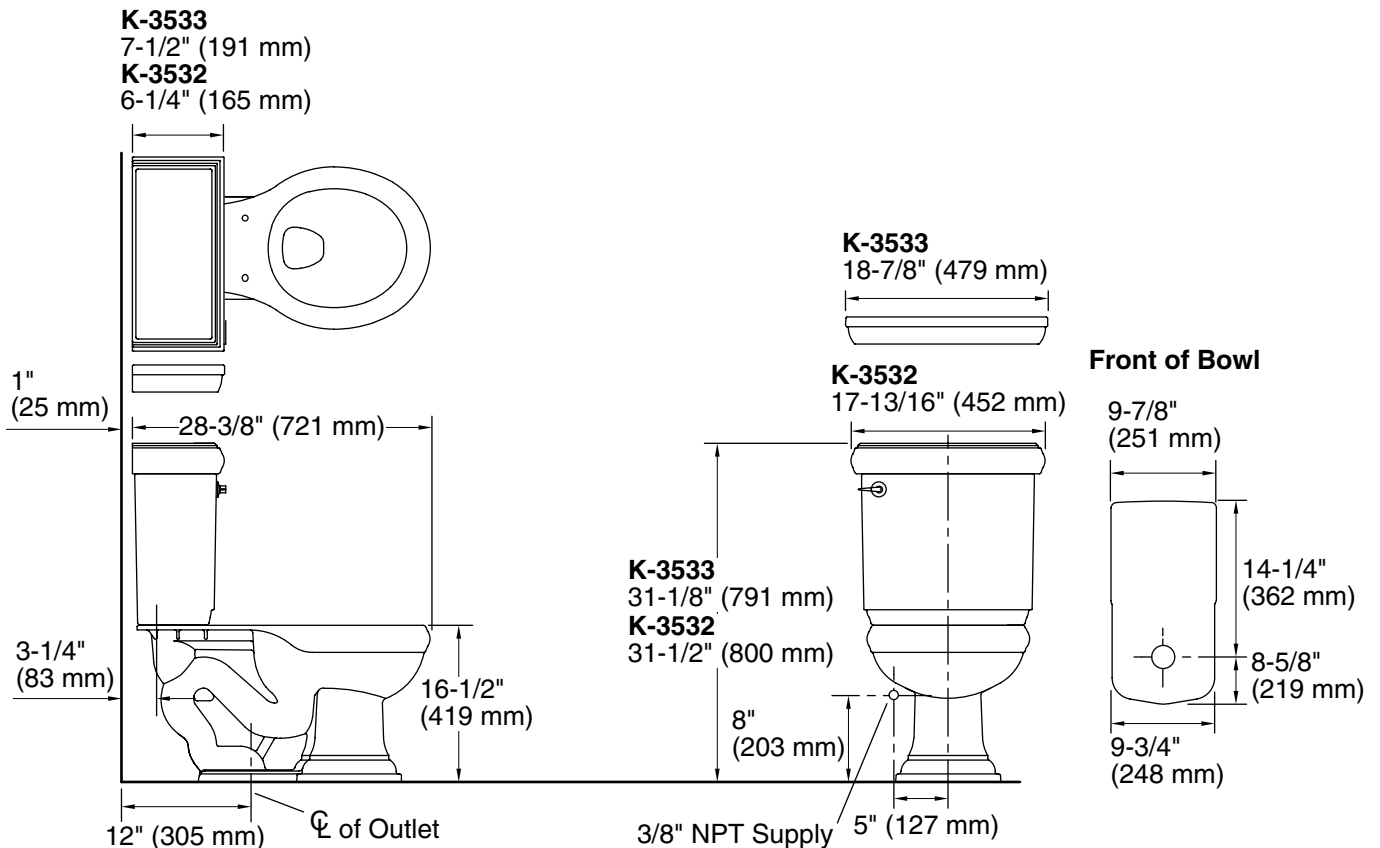
# MEMOIRS® CLASS FIVE®

## Technical Information

Fixture:	
Configuration	two-piece, round
Water per flush	1.6 gal (6 L) or 1.28 gal (4.8 L)
Passageway	2-1/8" (54 mm)
Water area	10-3/4" (273 mm) x 8-1/2" (216 mm)
Water depth from rim	6-1/8" (156 mm)
Seat post hole centers	5-1/2" (140 mm)
Included components:	
Bowl	K-4289
Tank with Classic design <b>OR</b>	K-4485
Tank with Stately design	K-4473
Tank cover with classic design <b>OR</b>	1052859
Tank cover with stately design	1052860
Trip lever	K-9439

## Installation Notes

Install this product according to the installation guide.



## Product Diagram