

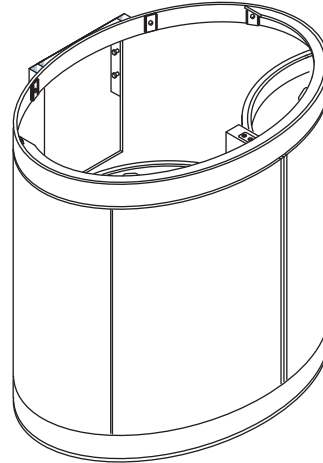
Features

- Made of solids and engineered veneers
- Catalyzed polyurethane finish
- Wall-hung installation
- Polished stainless steel finish detail
- 24-3/4" (629 mm) x 18-3/4" (476 mm) x 18" (457 mm)

Codes/Standards Applicable

Specified model meets or exceeds the following:

- ATCM Sec. 93120-93120.12, Title 17, CA. Code of Regulations
- CARB P2



Colors/Finishes

- LAW: Light Antique Walnut
- 0: White
- CP: Polished Chrome
- NA: None applicable
- Other: Refer to Price Book for additional colors/finishes

Specified Model

Model	Description	Colors/Finishes	
K-2392	Vanity	<input type="checkbox"/> LAW	
Recommended bathroom sink			
K-2952	Bathroom sink	<input type="checkbox"/> 0	<input type="checkbox"/> Other_____
Recommended Mirror Cabinet			
K-2962	Oval mirror cabinet – 20" (508 mm) x 31" (787 mm)		<input type="checkbox"/> NA
Recommended Faucet Trim			
K-T197	Falling Water® wall-mount bathroom sink faucet trim	<input type="checkbox"/> CP	<input type="checkbox"/> Other_____
K-T198	Falling Water® wall-mount bathroom sink faucet trim	<input type="checkbox"/> CP	<input type="checkbox"/> Other_____
K-T10087-9	Oblo® two-handle wall-mount bathroom sink faucet trim	<input type="checkbox"/> CP	<input type="checkbox"/> Other_____
K-T14414-3	Purist® two-handle wall-mount bathroom sink faucet trim	<input type="checkbox"/> CP	<input type="checkbox"/> Other_____
K-T14414-4	Purist® two-handle wall-mount bathroom sink faucet trim	<input type="checkbox"/> CP	<input type="checkbox"/> Other_____

Product Specification

The vanity shall be 24-3/4" (629 mm) in width, 18-3/4" (476 mm) in depth, and 18" (457 mm) in height. Product shall be made of solids and engineered veneers with a catalyzed polyurethane finish. Product shall feature polished stainless steel finish detail. Vanity shall be for wall-hung installation. Vanity shall be Kohler Model K-2392-_____.

STRELA™

Recommended Faucet Trim continued

K-T14416-3	Purist® two-handle wall-mount bathroom sink faucet trim	<input type="checkbox"/> CP	<input type="checkbox"/> Other _____
K-T14416-4	Purist® two-handle wall-mount bathroom sink faucet trim	<input type="checkbox"/> CP	<input type="checkbox"/> Other _____
K-T14417-3	Purist® two-handle wall-mount bathroom sink faucet trim	<input type="checkbox"/> CP	<input type="checkbox"/> Other _____
K-T14417-4	Purist® two-handle wall-mount bathroom sink faucet trim	<input type="checkbox"/> CP	<input type="checkbox"/> Other _____

Installation Notes



WARNING: Risk of property damage. Do not modify the vanity in any way. Doing so will compromise the structural stability of the vanity.



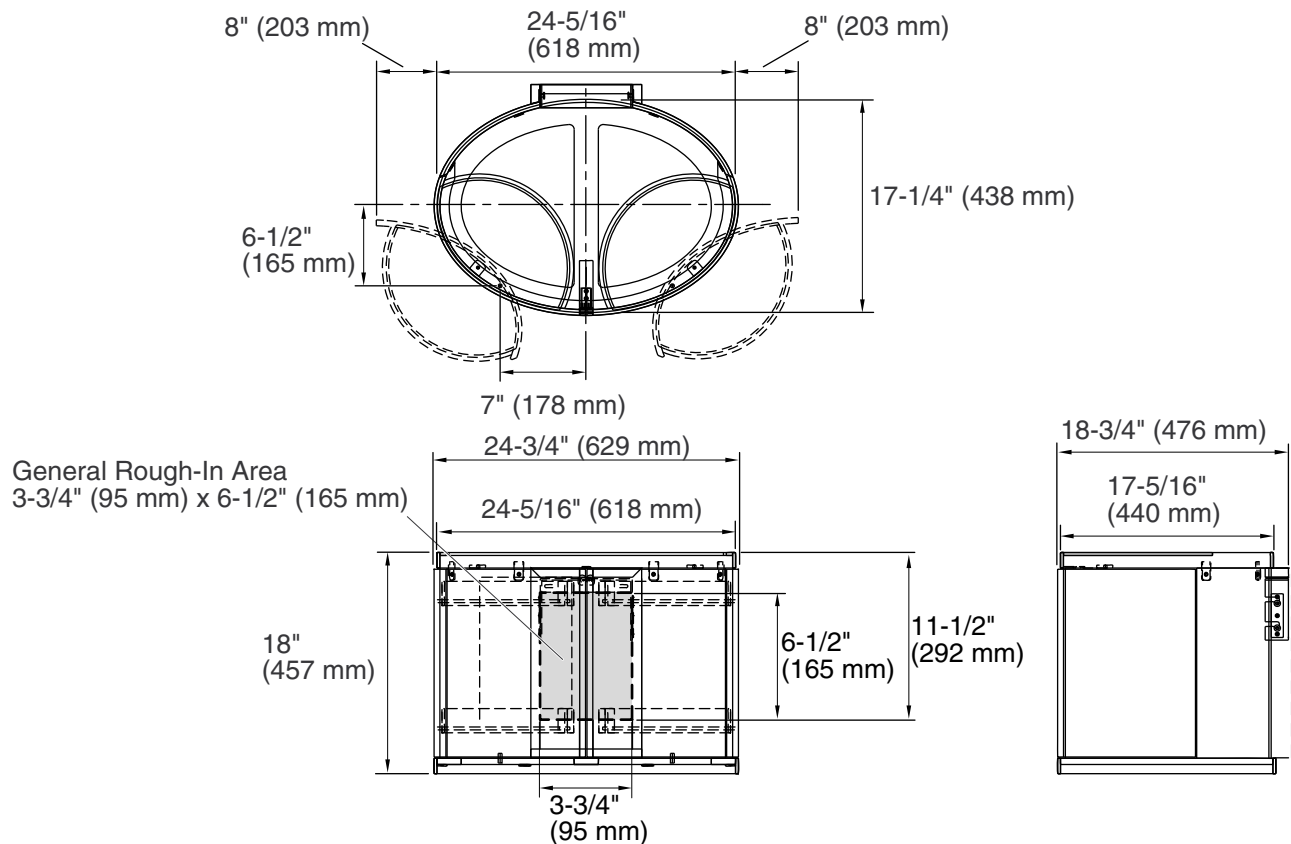
WARNING: Risk of property damage. Select lag bolts with a minimum of 500 lb (227 kg) load bearing and 5/16" (8 mm) diameter washers. Select lag bolts with a length that can safely clear any obstacles in the wall. Calculate the proper length of the lag bolts by adding the following: 1-1/2" (38 mm) backing material + finished wall thickness + hanger thickness.

NOTICE: If installing a bathroom sink: The plumbing must be roughed into the plumbing cutout area of the vanity. Refer to the bathroom sink roughing-in and the vanity roughing-in for proper placement. The water supply and drain lines must be installed before installing the vanity.

NOTICE: Allow 8" (203 mm) of clearance on both sides of the vanity to allow the door swing open.

Install this product according to the installation guide.

Refer to the installation guide for the recommended mounting height.



Product Diagram