

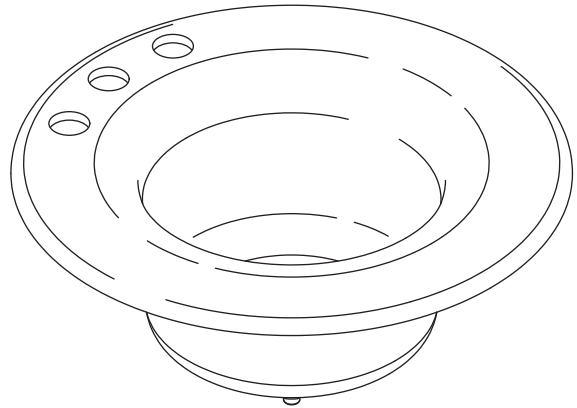
#### Features

- KOHLER cast iron
- Acid-resistant enamel finish
- Top-mount
- Available with 1-, 2-, or 3-hole
- Includes cutting board, drink tray, and ice mold
- 22" (559 mm) Diameter

#### Codes/Standards Applicable

Specified model meets or exceeds the following:

- ASME A112.19.1/CSA B45.2



#### Colors/Finishes

- 0: White
- Other: Refer to Price Book for additional colors/finishes

#### Accessories

- ST: Stainless Steel
- 0: White
- NA: None applicable

#### Specified Model

| Model    | Description                      | Colors/Finishes            |                                     |
|----------|----------------------------------|----------------------------|-------------------------------------|
| K-6490-1 | Bar sink with single faucet hole | <input type="checkbox"/> 0 | <input type="checkbox"/> Other_____ |
| K-6490-2 | Bar sink with two faucet holes   | <input type="checkbox"/> 0 | <input type="checkbox"/> Other_____ |
| K-6490-3 | Bar sink with three faucet holes | <input type="checkbox"/> 0 | <input type="checkbox"/> Other_____ |

| Included Accessories |               |  |                             |
|----------------------|---------------|--|-----------------------------|
| K-6154               | Drink tray    |  | <input type="checkbox"/> ST |
| K-6155               | Ice mold      |  | <input type="checkbox"/> NA |
| K-6156               | Cutting board |  | <input type="checkbox"/> 0  |

#### Product Specification

The top-mount cast iron bar sink shall be 22" (559 mm) in diameter. Sink shall have acid-resistant enamel finish. Sink shall be single-hole (-1), 2-hole (-2), or 3-hole (-3). Sink shall include cutting board, drink tray, and ice mold. Sink shall be Kohler Model K-6490-\_\_\_\_\_-\_\_\_\_\_.

# CORDIAL™

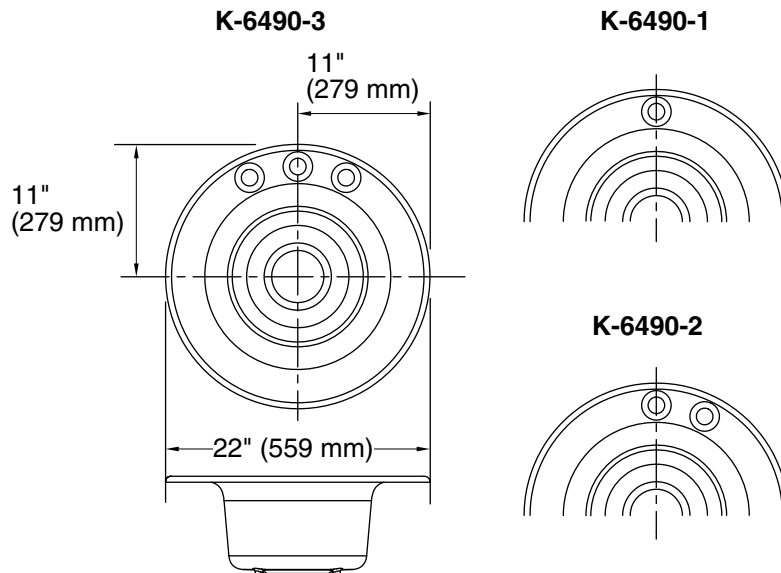
## Technical Information

|   |                  |
|---|------------------|
| Fixture*:                                       |                  |
| Bowl area                                       | Ø 12" (305 mm)   |
| Water depth                                     | 7-1/2" (191 mm)  |
| Drain hole                                      | Ø 3-7/8" (98 mm) |
| Faucet holes                                    | Ø 1-3/8" (35 mm) |
| * Approximate measurements for comparison only. |                  |

|                      |           |
|----------------------|-----------|
| Included components: |           |
| Cut-out template     | 1088501-7 |

## Installation Notes

Install this product according to the installation guide.



## Product Diagram