

### Features

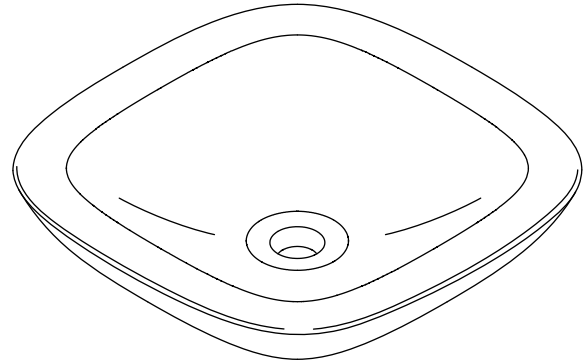
- Glass
- Without overflow
- Above-the-counter installation
- 19-7/8" (505 mm) x 19-7/8" (505 mm)

### VESSELS BATHROOM SINK K-2371

### Codes/Standards Applicable

Specified model meets or exceeds the following:

- ASME A112.19.2/CSA B45.1



### Colors/Finishes

- B10: Storm
- B11: Ice™

### Accessories

- CP: Polished Chrome
- Other: Refer to Price Book for additional colors/finishes

### Specified Model

Model	Description	Colors/Finishes	
K-2371	Vessels bathroom sink	<input type="checkbox"/> B10	<input type="checkbox"/> B11
Required Accessories			
K-7107	Decorative drain <b>OR</b>	<input type="checkbox"/> CP	<input type="checkbox"/> Other _____
K-7108	Decorative drain <b>OR</b>	<input type="checkbox"/> CP	<input type="checkbox"/> Other _____
K-7129	Grid drain	<input type="checkbox"/> CP	<input type="checkbox"/> Other _____

### Product Specification

The vessels bathroom sink shall be made of glass. Bathroom sink shall be 19-7/8" (505 mm) in length and 19-7/8" (505 mm) in width. Bathroom sink shall be for above-the-counter installation. Bathroom sink shall be without overflow. Bathroom sink shall be Kohler Model K-2371-\_\_\_\_\_.

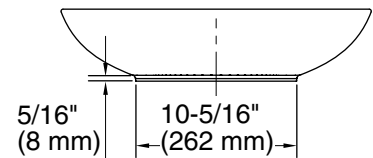
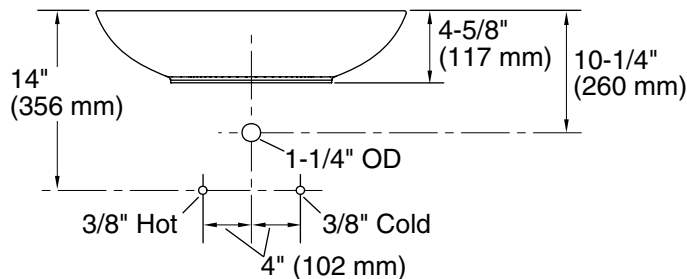
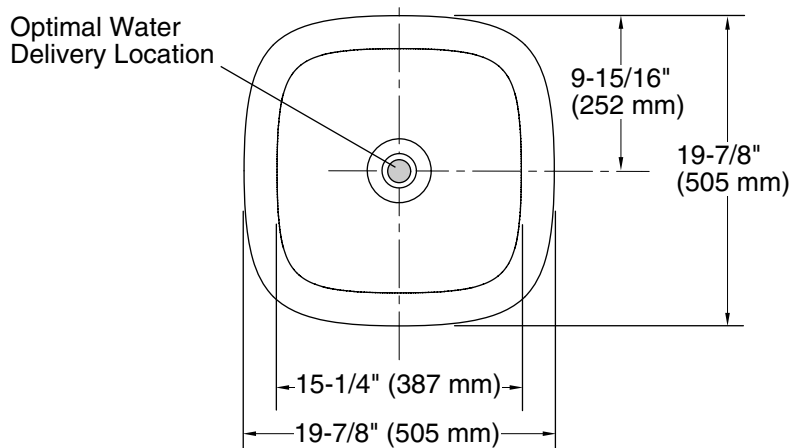
# TORIC®

## Technical Information

Fixture*:	
Basin area	15-1/4" (387 mm) x 15-1/4" (387 mm)
Water depth	3-1/2" (89 mm)
Drain hole	Ø 1-5/8" (41 mm)
* Approximate measurements for comparison only.	
Included components:	
Drain gasket kit	1070246

## Installation Notes

Install this product according to the installation guide.  
Product does not have an overflow.



## Product Diagram