

**WALL-MOUNT KITCHEN SINK
FAUCET
K-6228**

ADA

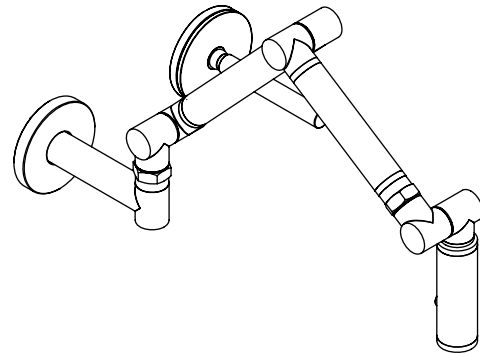
Features

- Metal construction
- One-piece, self-contained ceramic disc valve allows both volume and temperature control
- 2" (51 mm) diameter valve with lever handles
- 1-1/2" (38 mm) to 13-1/4" (337 mm) spout reach
- For wall-mount installation
- Meets CalGreen requirements for kitchen faucets
- 1.8 gallons (6.8 L) per minute maximum flow rate at 60 psi (4.1 bar)

Codes/Standards Applicable

Specified model meets or exceeds the following:

- ADA
- ICC/ANSI A117.1
- ASME A112.18.1/CSA B125.1
- ASME A112.18.3
- NSF 61
- Energy Policy Act of 1992
- All applicable US Federal and State material regulations



Colors/Finishes

- CP: Polished Chrome
- VS: Stainless Steel
- Other: Refer to Price Book for additional colors/finishes

Accessories

- NA: None applicable

Specified Model

Model	Description	Colors/Finishes		
K-6228-C11	Wall-mount kitchen sink faucet with silver tube	<input type="checkbox"/> CP	<input type="checkbox"/> VS	
K-6228-C12	Wall-mount kitchen sink faucet with black tube	<input type="checkbox"/> CP	<input type="checkbox"/> VS	
K-6228-C13	Wall-mount kitchen sink faucet with gold tube			<input type="checkbox"/> Other _____
K-6228-C15	Wall-mount kitchen sink faucet with bronze tube			<input type="checkbox"/> Other _____

Optional Accessories		
1107026	Shallow roughing-in valve body kit	<input type="checkbox"/> NA
1107027	Deep roughing-in valve body kit	<input type="checkbox"/> NA
1151265	Low flow kit – reduces maximum flow to 1.5 gpm (5.7 lpm) at 60 psi (4.1 bar)	<input type="checkbox"/> NA
1151266	High flow kit – increases maximum flow to 2.2 gpm (8.3 lpm) at 60 psi (4.1 bar)	<input type="checkbox"/> NA

Product Specification

The wall-mount kitchen sink faucet shall be made of metal construction. Product shall meet CalGreen requirements for kitchen faucets. Product shall have a maximum flow rate of 1.8 gallons (6.8 L) per minute at 60 psi (4.4 bar). Product shall feature a one-piece, self-contained ceramic disc valve, which allows both volume and temperature control. Product shall feature a 2" (51 mm) diameter valve with lever handles and a 1-1/2" (38 mm) to 13-1/4" (337 mm) spout reach. Product shall be for a wall-mount installation. Faucet shall be Kohler Model K-6228-____-____.

KARBON®

Installation Notes

Install this product according to the installation guide.

ADA compliant when installed to the specific requirement of the regulation.



WARNING: Risk of property damage. For exterior wall installations, ensure proper wall insulation to prevent frozen pipes.

NOTICE: Do not locate the faucet in close proximity to a direct heat source or use the faucet as a pot filler. Exposure to excessive heat will damage the integral sprayhead and spout joints and may cause severe discoloration to the carbon fiber tubing.

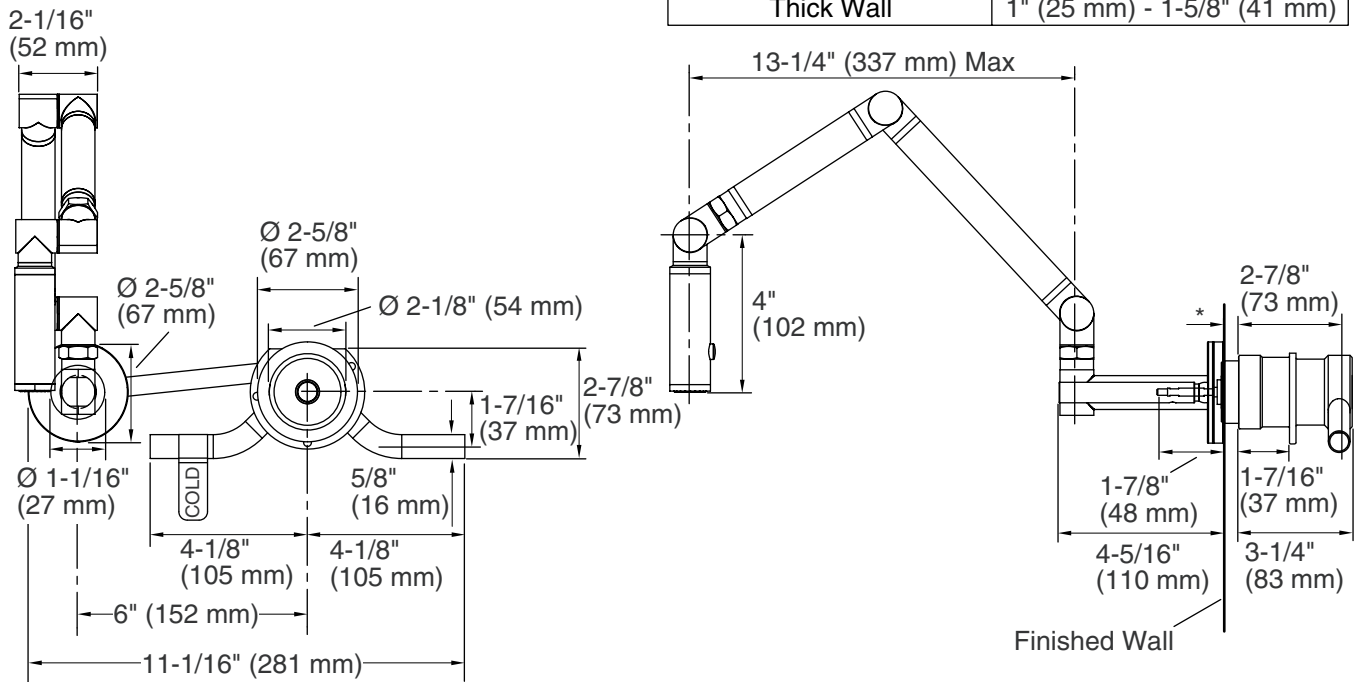
Special framing and support considerations are required to mount the wall-mount valve.



WARNING: Risk of property damage. Before finishing the wall, ensure the supply lines are connected to the mixer valve with the **cold** supply line plumbed on the **left** and the **hot** supply line plumbed on the **right**. Doing so will avoid replacing the finished wall due to error.

One 2-3/16" (56 mm) diameter cutout hole is required for the valve. One 1-3/16" (30 mm) diameter cutout hole is required for the spout.

Finished Wall Thickness	*
Thin Wall	0" - 5/8" (16 mm)
Standard Wall	1/2" (13 mm) - 1-1/8" (29 mm)
Thick Wall	1" (25 mm) - 1-5/8" (41 mm)



Product Diagram