

**BATHROOM SINK FAUCET
K-10217**



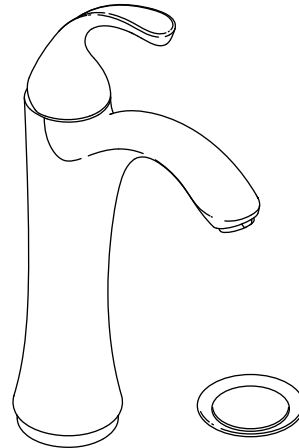
Features

- Brass construction
- One-piece, self-contained ceramic disc valve allows both volume and temperature control
- Temperature memory allows faucet to be turned on and off at any temperature setting
- High-temperature limit setting for added safety
- Flexible connections for easy installation
- Touch-activated drain with tailpiece and overflow
- 5-3/8" (137 mm) spout length
- 1.5 gallons (5.7 liters) per minute maximum flow rate

Codes/Standards Applicable

Specified model meets or exceeds the following at date of manufacture:

- NSF 61
- All applicable US Federal and State material regulations
- EPA WaterSense®
- ASME A112.18.1/CSA B125.1



Colors/Finishes

- CP: Polished Chrome
- Other: Refer to Price Book for additional colors/finishes

Specified Model

Model	Description	Description	
K-10217-4	Bathroom sink faucet – tall single-handle	<input type="checkbox"/> CP	<input type="checkbox"/> Other _____
Optional Accessories			
_____	Additional flow options are available (refer to the Kohler Price Book)	<input type="checkbox"/> NA	

Product Specification

Single-handle bathroom sink faucet shall be of brass construction. Product shall have a maximum flow rate of 1.5 gallons (5.7 liters) per minute. Product shall feature a one-piece, self-contained ceramic disc valve, which allows for both volume and temperature control. Product shall feature temperature memory, allowing the faucet to be turned on and off at any temperature setting. Product shall include a high-temperature limit stop for added safety. Product shall feature a 5-3/8" (137 mm) length spout and a lever handle. Product shall include flexible connections for easy installation. Product shall include a touch-activated drain with tailpiece and overflow. Lavatory faucet shall be Kohler Model K-10217-4-_____.

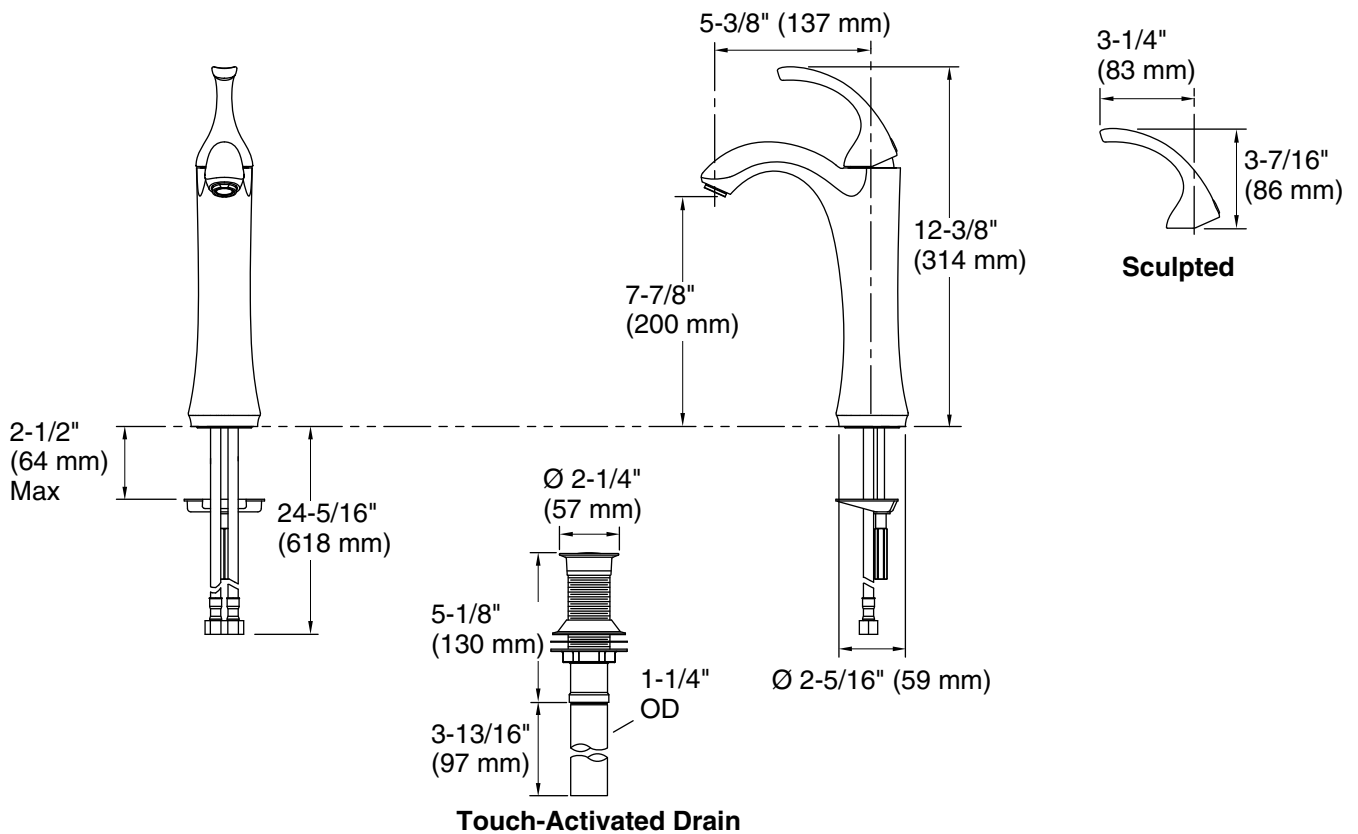
FORTE®

Technical Information

Included components:	
Drain with tailpiece and overflow	1032297

Installation Notes

Install this product according to the installation guide.



Product Diagram