

**CENTERSET BATHROOM SINK  
FAUCET  
K-13490**

**Features**

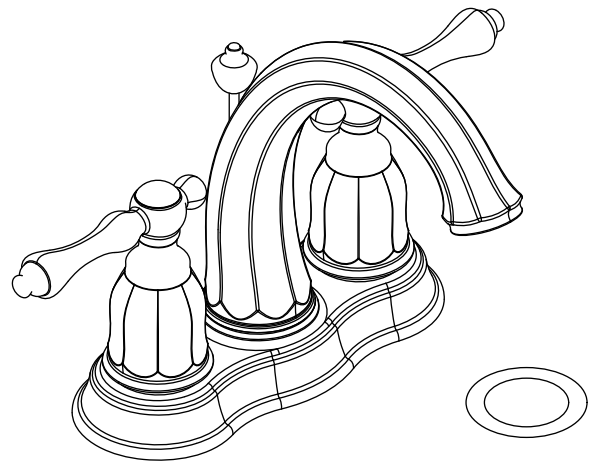
- Brass construction
- Cast brass waterway
- Brass valve bodies
- Quarter-turn washerless ceramic disc valves
- For 4" (102 mm) centers
- Lever handles are ADA compliant
- Pop-up drain with tailpiece
- 4-1/2" (114 mm) spout reach
- Stationary spout
- 1.5 gallons (5.7 liters) per minute maximum flow rate



**Codes/Standards Applicable**

Specified model meets or exceeds the following at date of manufacture:

- ADA
- ASME A112.18.1/CSA B125.1
- ICC/ANSI A117.1
- NSF 61
- All applicable US Federal and State material regulations
- EPA WaterSense®



**Colors/Finishes**

- CP: Polished Chrome
- Other: Refer to Price Book for additional colors/finishes

**Specified Model:**

Model	Description	Color/Finish	
K-13490-4	Centerset bathroom sink faucet	<input type="checkbox"/> CP	<input type="checkbox"/> Other ____

Optional Accessories		
_____	Additional flow options are available (refer to the Kohler Price Book)	<input type="checkbox"/> NA

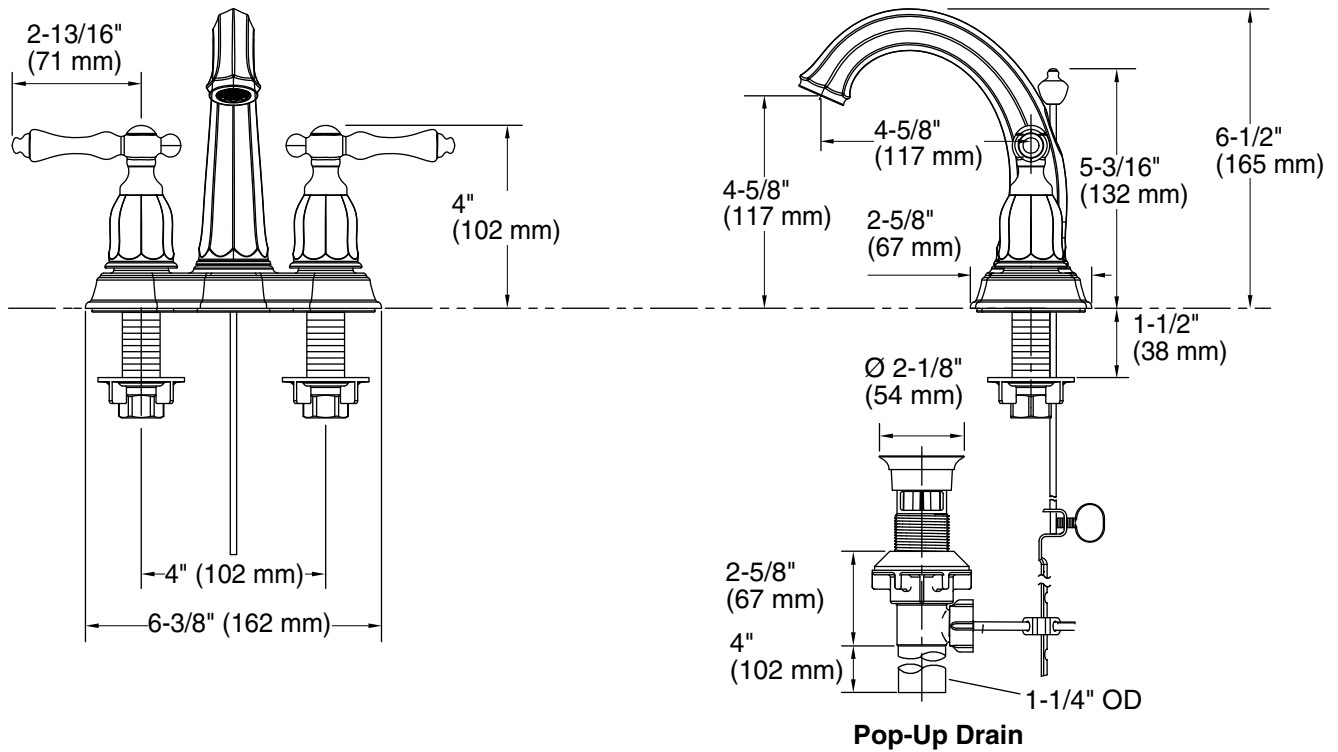
**PRODUCT SPECIFICATION**

The centerset bathroom sink faucet shall be made of brass construction with a cast brass waterway and cast brass valve bodies. Product shall have a 1.5 gallons (5.7 L) per minute maximum flow rate. Product shall feature quarter-turn washerless ceramic disc valves. Product shall be for 4" (102 mm) centers. Product shall feature a 4-1/2" (114 mm) spout reach, a pop-up drain with tailpiece, stationary spout, and ADA compliant lever handles. Faucet shall be Kohler Model K-13490-4-\_\_\_\_\_.

# KELSTON™

## Installation Notes

Install this faucet following the installation instructions provided.



## Product Diagram