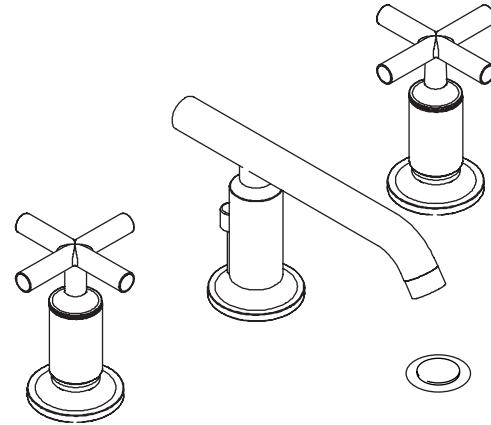


Features

- Metal construction
- Brass valve bodies
- Flexible connections for easy installation
- Cross or lever handles
- 5" (12.7 cm) spout reach
- Pop-up drain with lift rod and tailpiece
- Stationary spout
- For 8" (20.3 cm) or 16" (40.6 cm) centers
- Quarter-turn washerless ceramic disc valves
- Low spout
- 1.5 gallons (5.7 liters) per minute maximum flow rate

**WIDESPREAD LAVATORY FAUCET
K-14410**



Codes/Standards Applicable

Specified model meets or exceeds the following at date of manufacture:

- ADA
- ASME A112.18.1/CSA B125.1
- ICC/ANSI A117.1
- NSF 61
- All applicable US Federal and State material regulations
- EPA WaterSense®

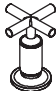

Colors/Finishes

- CP: Polished Chrome
- Other: Refer to Price Book for additional colors/finishes

Accessories

- NA: None applicable

Specified Model

Model	Description	Cross		Lever	
		 ADA	<input type="checkbox"/> CP <input type="checkbox"/> Other_____	 ADA	<input type="checkbox"/> CP <input type="checkbox"/> Other_____
K-14410-3	Widespread lavatory faucet	<input type="checkbox"/> CP	<input type="checkbox"/> Other_____		
K-14410-4	Widespread lavatory faucet			<input type="checkbox"/> CP	<input type="checkbox"/> Other_____

Product Specification

The two-handle widespread lavatory faucet shall be made of metal construction with brass valve bodies. Product shall have a maximum flow rate of 1.5 gallons (5.7 liters) per minute. Product shall feature quarter-turn washerless ceramic disc valves, flexible connections for easy installation, a 5" (12.7 cm) spout reach, and a stationary spout. Product shall be for 8" (20.3 cm) or 16" (40.6 cm) centers. Product shall feature a low spout and pop-up drain with lift rod and tailpiece. Product shall be available with cross or lever handles. Faucet shall be Kohler Model K-14410-____-____.

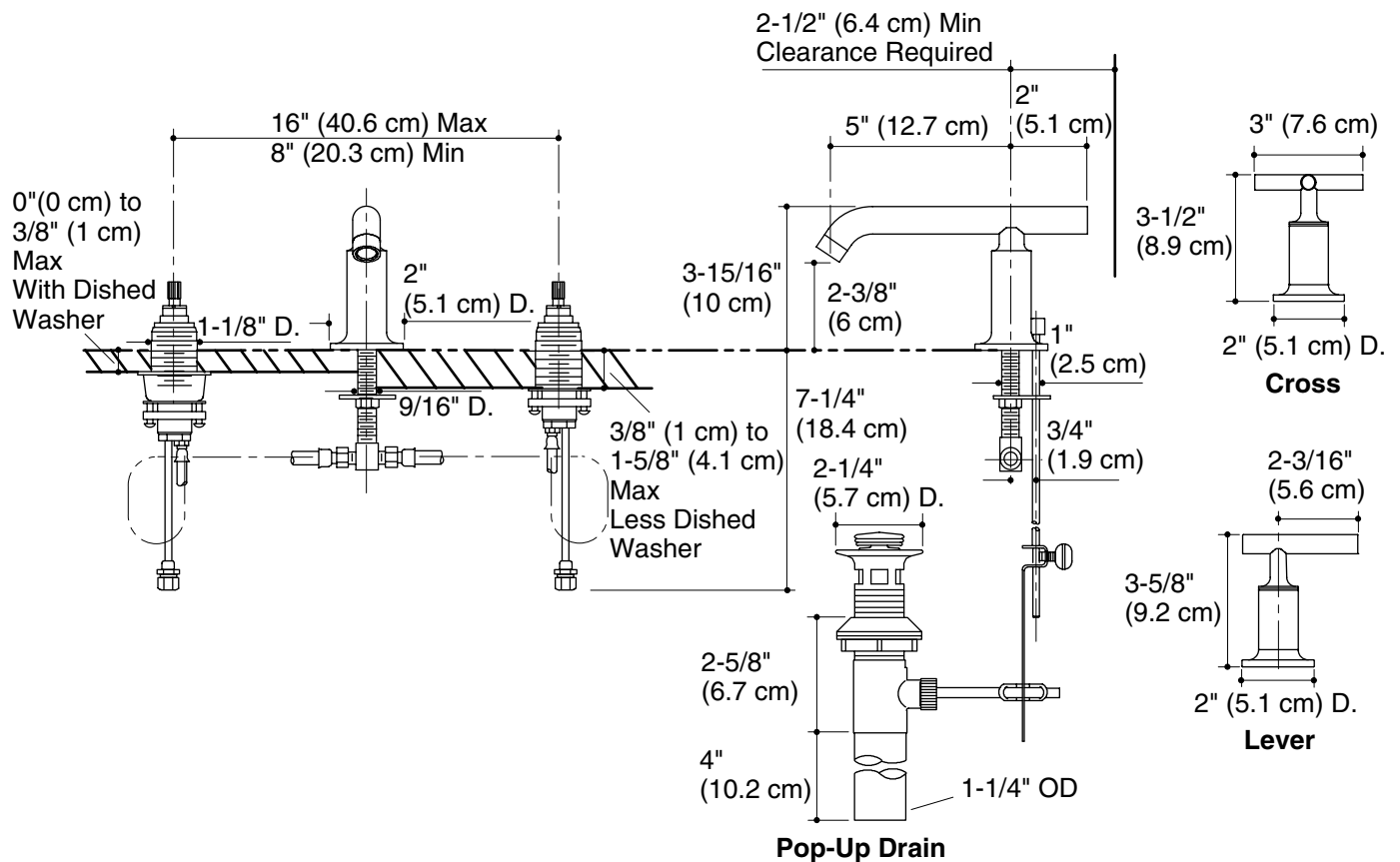
PURIST®

Optional Accessories		
1160593	Small Spray 0.38 gpm (1.44 lpm) – Insert only	<input type="checkbox"/> NA
_____	Additional flow options are available (refer to the Price Book)	<input type="checkbox"/> NA

Installation Notes

Install this product according to the installation guide.

ADA compliant when installed to the specific requirements of these regulations.



Product Diagram