

**Features**

- Brass construction
- Dual control wall-mounted
- Less drain
- Stationary spout
- Available with a 9-3/4" (248 mm) or 11-3/4" (298 mm) spout reach
- ADA compliant lever handles
- 1.5 gallons (5.7 liters) per minute maximum flow rate

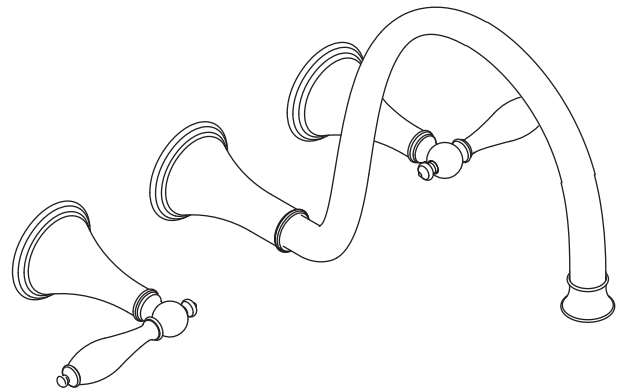
**WALL-MOUNT BATHROOM SINK FAUCET TRIM  
K-T343  
ALSO K-T344**



**Codes/Standards Applicable**

Specified model meets or exceeds the following at date of manufacture:

- ADA
- ASME A112.18.1/CSA B125.1
- ICC/ANSI A117.1
- NSF 61
- All applicable US Federal and State material regulations
- EPA WaterSense®



**Colors/Finishes**

- CP: Polished Chrome
- Other: Refer to Price Book for additional colors/finishes

**Accessories**

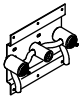
- NA: None applicable
- CP: Polished Chrome
- Other: Refer to Price Book for additional colors/finishes

**Specified Model**

Model	Description	Colors/Finishes	
K-T343-4M	Wall-mount bathroom sink faucet trim – 9-3/4" (248 mm) spout reach	<input type="checkbox"/> CP	<input type="checkbox"/> Other
K-T343-4P	Wall-mount bathroom sink faucet trim – 9-3/4" (248 mm) spout reach, white handle inserts	<input type="checkbox"/> CP	<input type="checkbox"/> Other
K-T344-4M	Wall-mount bathroom sink faucet trim – 11-3/4" (298 mm) spout reach	<input type="checkbox"/> CP	<input type="checkbox"/> Other
K-T344-4P	Wall-mount bathroom sink faucet trim – 11-3/4" (298 mm) spout reach, white handle inserts	<input type="checkbox"/> CP	<input type="checkbox"/> Other

**Product Specification**

The dual-control wall-mount bathroom sink faucet trim shall be made of brass construction. Product shall have a maximum flow rate of 1.5 gallons (5.7 liters) per minute. Product shall feature a stationary spout and ADA compliant lever handles. Product shall be available with a 9-3/4" (248 mm) or 11-3/4" (298 mm) spout reach. Product shall be less drain. Faucet shall be Kohler Model K-T\_\_\_\_-\_\_\_\_-\_\_\_\_ with required K-410-K-NA valve.

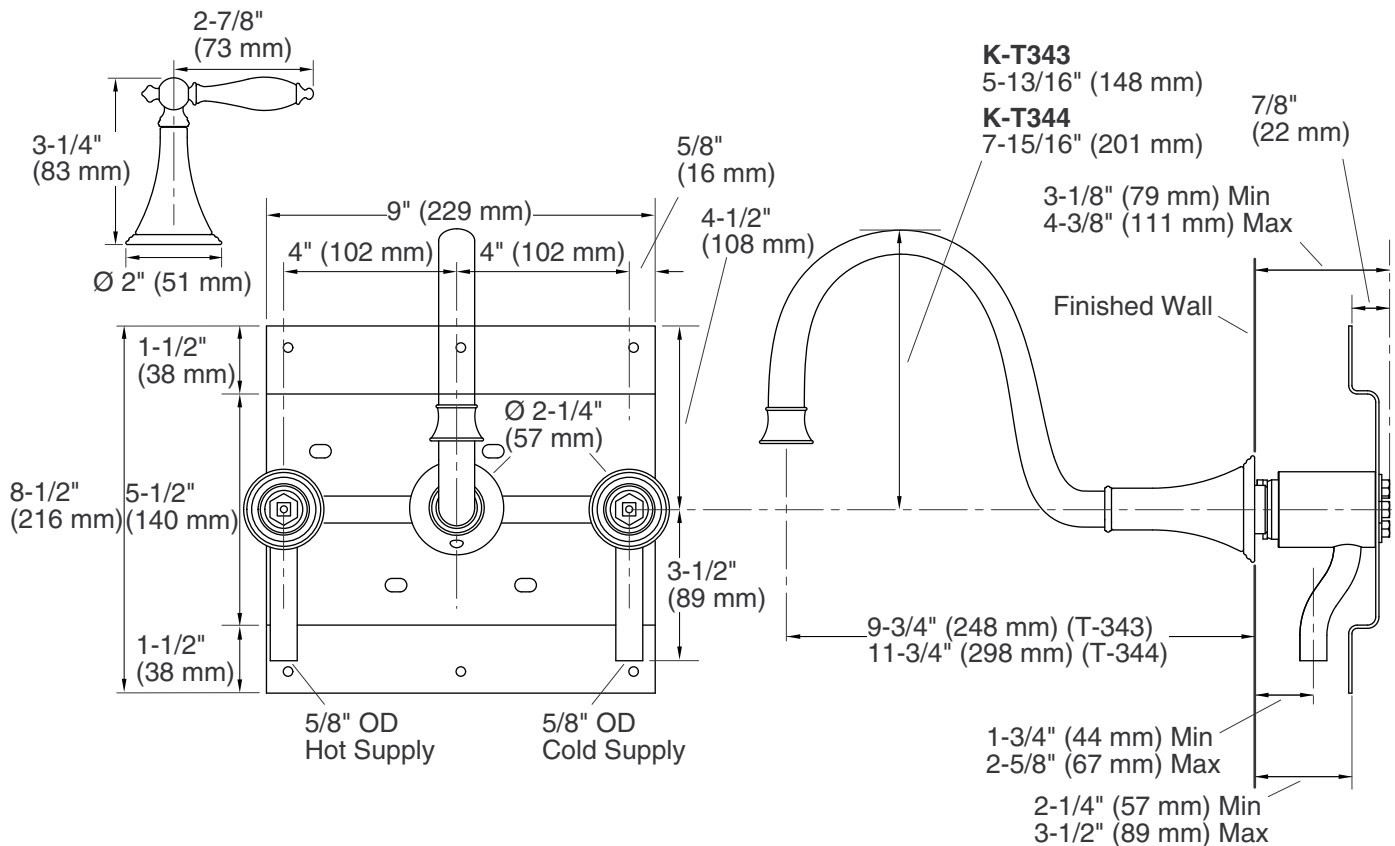
<b>Required Accessories</b>				
K-410-K	Two-handle ceramic valve	<input type="checkbox"/> NA		
<b>Optional Accessories</b>				
K-7114	Under-mount pop-up bathroom sink drain with tailpiece <b>OR</b>	<input type="checkbox"/> CP	<input type="checkbox"/> Other	
K-7124	Touch activated bathroom sink drain with tailpiece <b>OR</b>	<input type="checkbox"/> CP	<input type="checkbox"/> Other	
K-7127	Bathroom sink drain with non-removable metal stopper and tailpiece – 3" rough <b>OR</b>	<input type="checkbox"/> CP	<input type="checkbox"/> Other	
K-7129	Bathroom sink grid drain with tailpiece	<input type="checkbox"/> CP	<input type="checkbox"/> Other	
_____	Additional flow options are available (refer to the Kohler Price Book)			<input type="checkbox"/> NA

## Installation Notes

Install this product according to the installation guide.

A minimum of 1-1/2" (38 mm) to 6" (152 mm) clearance space must be maintained between the bottom of the spout and the top of the fixture rim.

Three 1-1/2" (38 mm) diameter cut-out holes are required for the spout and handles.



## Product Diagram