

### Features

- Vitreous china
- Under-mount
- With overflow
- Without faucet hole(s)
- Includes 52047 clamp assembly
- 17-1/4" (438 mm) x 13" (330 mm)

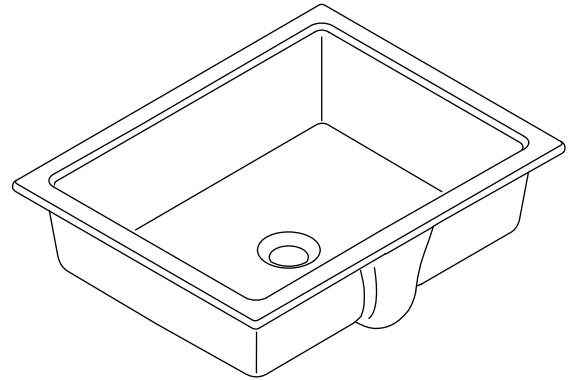
### UNDER-MOUNT BATHROOM SINK K-2882

ADA

### Codes/Standards Applicable

Specified model meets or exceeds the following:

- ADA
- ASME A112.19.2/CSA B45.1
- ICC/ANSI A117.1



### Colors/Finishes

- 0: White
- Other: Refer to Price Book for additional colors/finishes

### Accessories

- CP: Polished Chrome
- Other: Refer to Price Book for additional colors/finishes

### Specified Model

Model	Description	Colors/Finishes	
K-2882	Under-mount bathroom sink	<input type="checkbox"/> 0	<input type="checkbox"/> Other_____
<b>Recommended Accessories</b>			
K-8998	Adjustable P-Trap	<input type="checkbox"/> CP	<input type="checkbox"/> Other_____

### Product Specification

The under-mount bathroom sink shall be made of vitreous china. Bathroom sink shall be 17-1/4" (438 mm) in length and 13" (330 mm) in width. Bathroom sink shall be with overflow and without faucet hole(s). Bathroom sink shall include 52047 clamp assembly. Bathroom sink shall be Kohler Model K-2882-\_\_\_\_\_.

# VERTICYL™

## Technical Information

Fixture*:	
Basin area	17-1/4" (438 mm) x 13" (330 mm)
Water depth	3-1/8" (79 mm)
Drain hole	Ø 1-3/4" (44 mm)
* Approximate measurements for comparison only.	

Included components:	
Basin clamp assembly	52047
Cut-out template	1109226-7

## Installation Notes

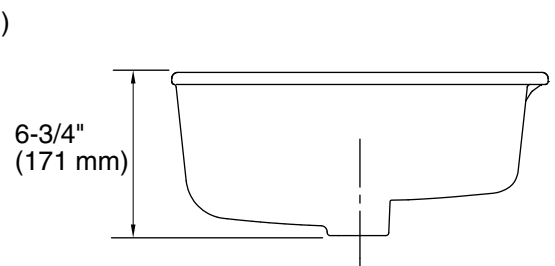
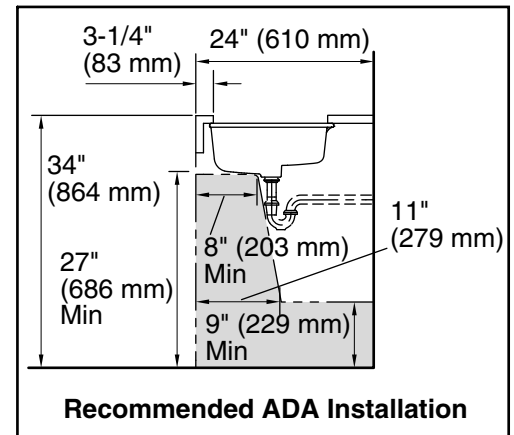
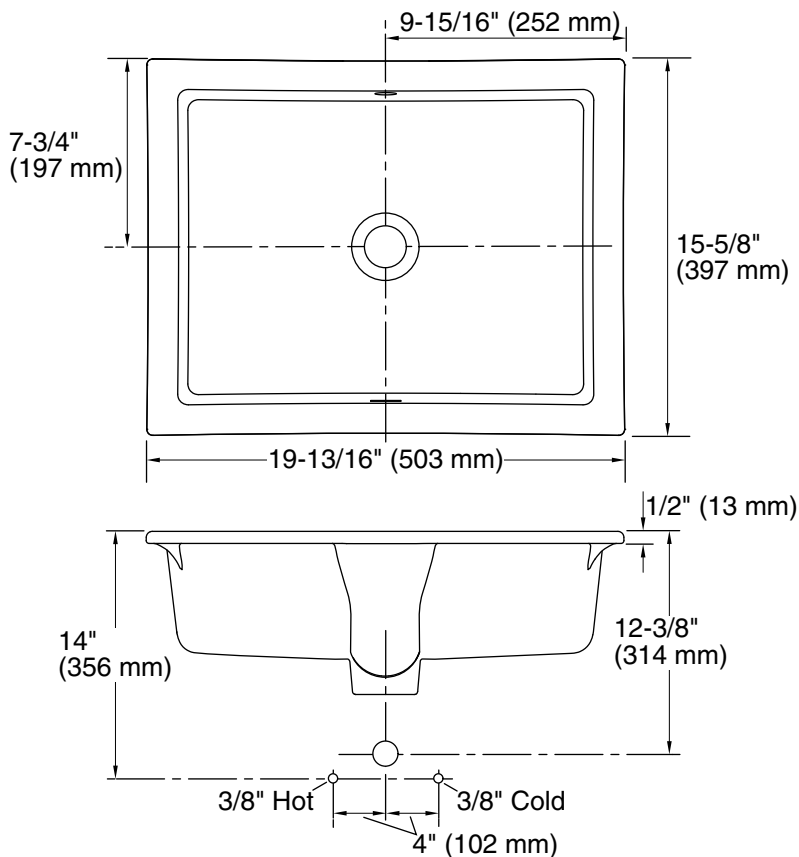
Install this product according to the installation guide.

Supplied basin clamp assemblies require 1" (25 mm) minimum countertop thickness. Installer must supply anchors for thinner countertops.

**NOTICE:** Countertop manufacturer or cutter must use the cut-out template provided with the product, or a current one provided by Kohler Co. (call 1-800-4KOHLER). Kohler Co. is not responsible for cut-out errors when incorrect cut-out template is used.

Will comply with **ADA** when installed per section 606 Lavatories of the Act.

For under-mount installation, counter top thickness cannot be greater than 1" (25 mm) for **ADA** compliance.



## Product Diagram